



**APEX DYNAMICS, INC.**

**HIGH PRECISION  
PLANETARY GEARBOX**

**AE / AER Series**



**Stainless**



**Apex Dynamics, Inc.** is the world's most productive manufacturer of servomotor drive planetary gearboxes for precision automation machinery. From our 800,000+ square foot ISO 9001:2008 manufacturing facility, based in Taichung, Taiwan, we manufacture to stock using the newest precision machine tools and quality test and inspection equipment. Complete focus on quality and precision allows us to produce our high quality gearheads at precision levels down to less than 1 arc minute (1/60 th of a degree), with consistency and high reliability.

Based on more than twenty years of accumulated manufacturing and marketing experience, plus the highest level of technical production capabilities, Apex Dynamics, Inc. designs and builds technically advanced, high speed, low backlash servo application planetary gearboxes. Our Break through patented technology (over 6 patents), provides the customer with the optimum high precision helical reducer at a reasonable price. We are continuously improving processes, finding proper and effective methods to provide customers new solutions for difficult applications, and developing new products.

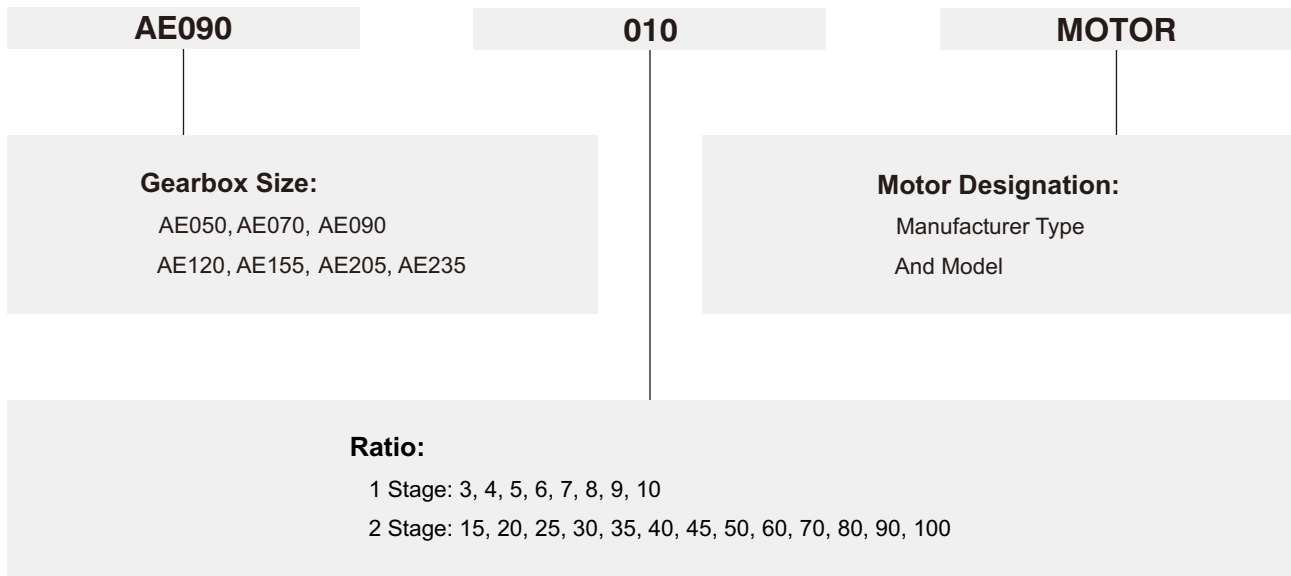
The primary focus in daily operation is quality. We pride ourselves on our dedication to quality; our duty - is customer satisfaction.



**APEX**

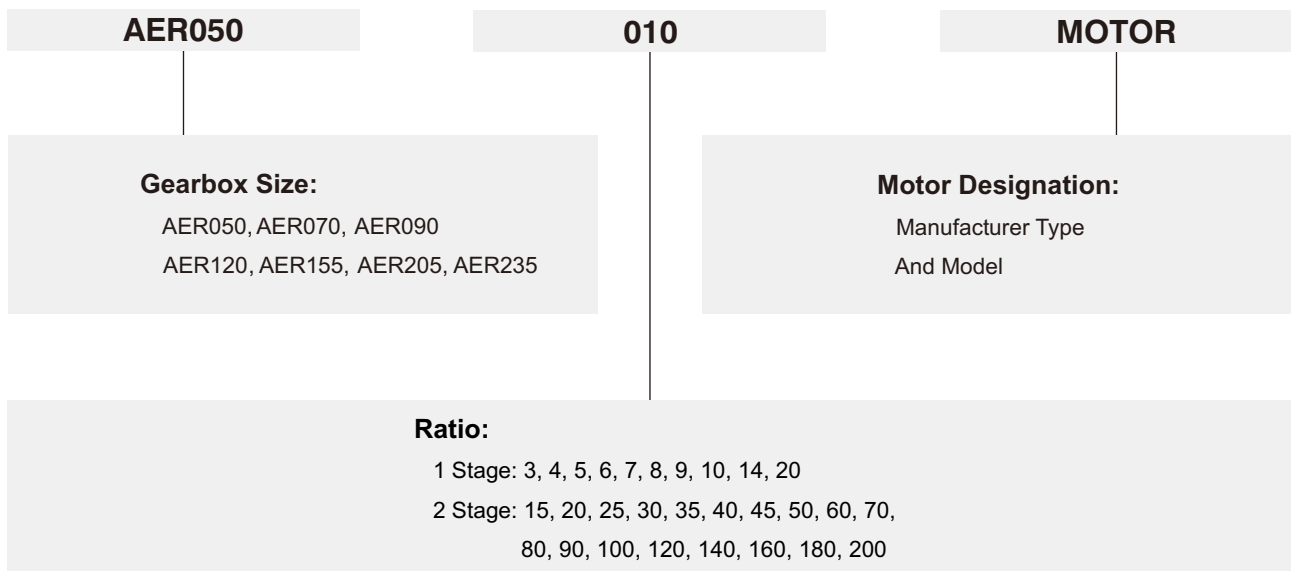


# AE Series



**Ordering Example: AE090-010 / SIEMENS 1FT6 041-4AF71**

# AER Series



**Ordering Example: AER050-010 / SIEMENS 1FT5 034-OAK71**

# Specifications / AE Series

## Gearbox Performance

Model No.	Stage	Ratio <sup>A</sup>	AE050	AE070	AE090	AE120	AE155	AE205	AE235	
Nominal output torque $T_{2N}$	1	3	20	55	130	208	342	588	1,140	
		4	19	50	140	290	542	1,050	1,700	
		5	22	60	160	330	650	1,200	2,000	
		6	20	55	150	310	600	1,100	1,900	
		7	19	50	140	300	550	1,100	1,800	
		8	17	45	120	260	500	1,000	1,600	
		9	14	40	100	230	450	900	1,500	
		10	14	40	100	230	450	900	1,500	
		2	15	20	55	130	208	342	588	1,140
	20		19	50	140	290	542	1,050	1,700	
	25		22	60	160	330	650	1,200	2,000	
	30		20	55	150	310	600	1,100	1,900	
	35		19	50	140	300	550	1,100	1,800	
	40		17	45	120	260	500	1,000	1,600	
	45		14	40	100	230	450	900	1,500	
	50		22	60	160	330	650	1,200	2,000	
	60		20	55	150	310	600	1,100	1,900	
	70	19	50	140	300	550	1,100	1,800		
80	17	45	120	260	500	1,000	1,600			
90	14	40	100	230	450	900	1,500			
100	14	40	100	230	450	900	1,500			
Emergency Stop Torque $T_{2NOT}$ <sup>B</sup>	Nm	1,2	3~100	3 times of nominal output torque						
Nominal input speed $n_{1N}$	rpm	1,2	3~100	5,000	5,000	4,000	4,000	3,000	3,000	2,000
Max. input speed $n_{1B}$	rpm	1,2	3~100	10,000	10,000	8,000	8,000	6,000	6,000	4,000
Backlash	arcmin	1	3~10	≤8	≤8	≤8	≤8	≤8	≤8	≤8
		2	15~100	≤12	≤12	≤12	≤12	≤12	≤12	≤12
Torsional rigidity	Nm/arcmin	1,2	3~100	3	7	14	25	50	145	225
Max. Radial Load $F_{2rB}$ <sup>C</sup>	N	1,2	3~100	702	1,377	2,985	6,100	8,460	13,050	8,700
Max. Axial Load $F_{2aB}$ <sup>C</sup>	N	1,2	3~100	390	765	1,625	3,350	4,700	7,250	5,400
Service Life <sup>D</sup>	hr	1,2	3~100	20,000						
Efficiency $\eta$	%	1	3~10	≥97%						
		2	15~100	≥94%						
Weight	kg	1	3~10	0.6	1.4	3.3	6.9	13	31	53
		2	15~100	0.9	1.6	4.7	8.7	17	35	66
Operating temp	°C	1,2	3~100	-10°C~90°C						
Lubrication				Synthetic lubrication oils						
Degree of gearbox protection		1,2	3~100	IP65						
Mounting position		1,2	3~100	all directions						
Noise ( $n_1=3000\text{rpm}, i=10, \text{No load}$ ) <sup>E</sup>	dB(A)	1,2	3~100	≤56	≤58	≤60	≤63	≤65	≤67	≤70

## Gearbox Inertia

Model No.	Stage	Ratio <sup>A</sup>	AE050	AE070	AE090	AE120	AE155	AE205	AE235
Mass moments of inertia $J_1$	1	3	0.03	0.16	0.61	3.25	9.21	28.98	69.61
		4	0.03	0.14	0.48	2.74	7.54	23.67	54.37
		5	0.03	0.13	0.47	2.71	7.42	23.29	53.27
		6	0.03	0.13	0.45	2.65	7.25	22.75	51.72
		7	0.03	0.13	0.45	2.62	7.14	22.48	50.97
		8	0.03	0.13	0.44	2.58	7.07	22.59	50.84
		9	0.03	0.13	0.44	2.57	7.04	22.53	50.63
		10	0.03	0.13	0.44	2.57	7.03	22.51	50.56
		2	15	0.03	0.03	0.13	0.47	2.71	7.42
	20		0.03	0.03	0.13	0.47	2.71	7.42	23.29
	25		0.03	0.03	0.13	0.47	2.71	7.42	23.29
	30		0.03	0.03	0.13	0.47	2.71	7.42	23.29
	35		0.03	0.03	0.13	0.47	2.71	7.42	23.29
	40		0.03	0.03	0.13	0.47	2.71	7.42	23.29
	45		0.03	0.03	0.13	0.47	2.71	7.42	23.29
	50		0.03	0.03	0.13	0.44	2.57	7.03	22.51
	60		0.03	0.03	0.13	0.44	2.57	7.03	22.51
	70	0.03	0.03	0.13	0.44	2.57	7.03	22.51	
80	0.03	0.03	0.13	0.44	2.57	7.03	22.51		
90	0.03	0.03	0.13	0.44	2.57	7.03	22.51		
100	0.03	0.03	0.13	0.44	2.57	7.03	22.51		

A. Ratio ( $i=N_n/N_{out}$ )

B. Max. acceleration torque  $T_{2B} = 60\%$  of  $T_{2NOT}$

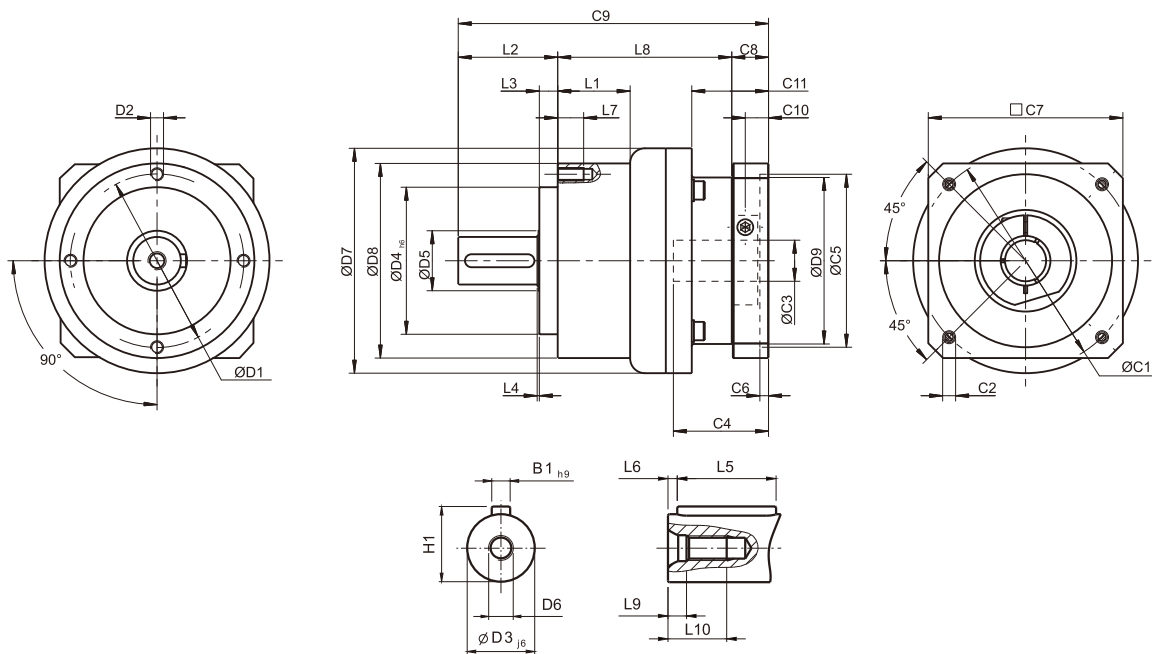
C. Applied to the output shaft center at 100 rpm

D. For continuous operation, the service life time is less than 10,000hrs

E. These values are measured by gearbox with ratio = 10 (1-stage) or ratio = 100 (2-stage) at 3,000 rpm without load.

By ratio smaller than 10, the noise value would be 3-5dB higher

# Dimensions (1-stage, Ratio $i=3\sim 10$ ) / AE Series



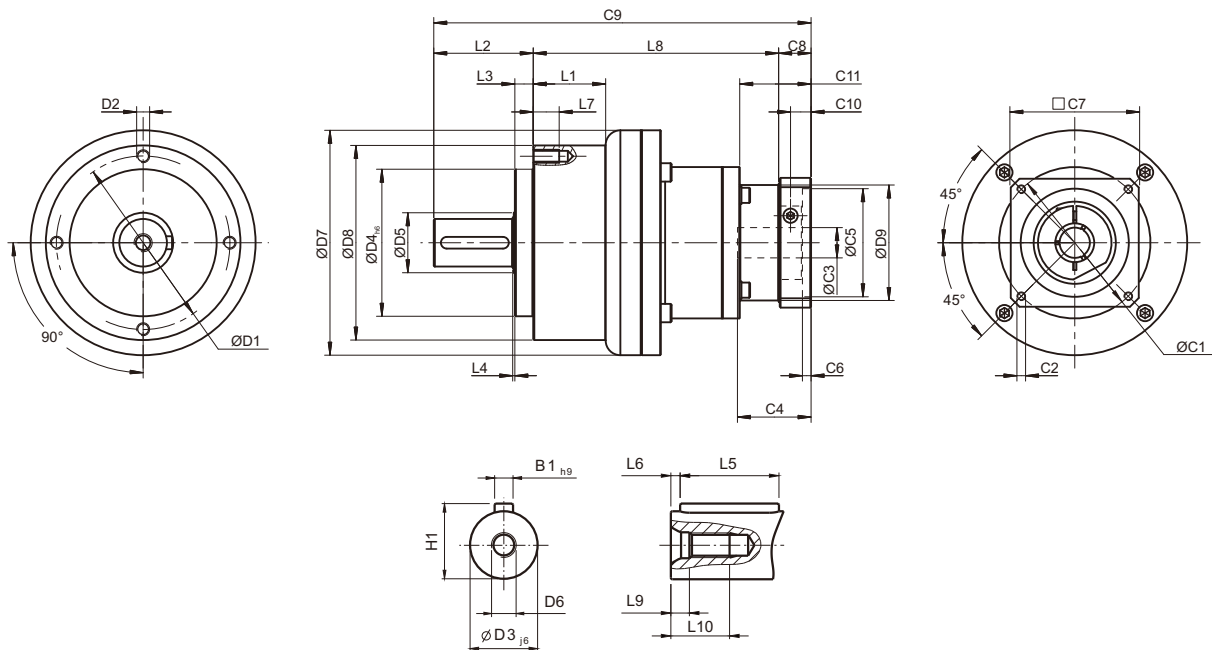
[unit: mm]

Dimension	AE050	AE070	AE090	AE120	AE155	AE205	AE235
D1	44	62	80	108	140	184	210
D2	M4 x 0.7P	M5 x 0.8P	M6 x 1P	M8 x 1.25P	M10 x 1.5P	M12 x 1.75P	M16 x 2P
D3 <sub>j6</sub>	12	16	22	32	40	55	75
D4 <sub>h6</sub>	35	52	68	90	120	160	180
D5	22	22	30	40	75	95	115
D6	M4 x 0.7P	M5 x 0.8P	M8 x 1.25P	M12 x 1.75P	M16 x 2P	M20 x 2.5P	M20 x 2.5P
D7	53	70	104	130	162	205	260
D8	50	70	90	120	155	205	235
D9	45.5	53.4	77	102	125	160	205
L1	--	--	33.5	38	50	--	70
L2	24.5	36	46	70	97	100	126
L3	4	6.5	8.5	17.5	15	15	18
L4	1	1	1	1.5	3	3	3
L5	14	25	32	40	63	70	90
L6	2	2	3	5	5	6	7
L7	8	10	12	16	20	22	28
L8	47	62	80.5	97	119.5	159	175.5
L9	4.5	4.8	7.2	10	12	15	15
L10	10	12.5	19	28	36	42	42
C1 <sup>1</sup>	46	70	100	130	165	215	235
C2 <sup>1</sup>	M4 x 0.7P	M5 x 0.8P	M6 x 1P	M8 x 1.25P	M10 x 1.5P	M12 x 1.75P	M12 x 1.75P
C3 <sup>1</sup>	≤11 / ≤12 <sup>2</sup>	≤14 / ≤16 <sup>2</sup>	≤19 / ≤24	≤32	≤38	≤48	≤55
C4 <sup>1</sup>	30	34	40	50	60	85	116
C5 <sup>1</sup>	30	50	80	110	130	180	200
C6 <sup>1</sup>	3.5	8	4	5	6	6	6
C7 <sup>1</sup>	48	60	90	115	142	190	220
C8 <sup>1</sup>	19.5	19	17	19.5	22.5	29	63
C9 <sup>1</sup>	91	117	143.5	186.5	239	288	364.5
C10 <sup>1</sup>	13.25	13.5	10.75	13	15	20.75	53.5
C11 <sup>1</sup>	19.5	37	35.5	46	53.5	79.5	106.5
B1 <sub>h9</sub>	4	5	6	10	12	16	20
H1	14	18	24.5	35	43	59	79.5

1. C1~C11 are motor specific dimensions (metric std shown). Refer to [www.apexdyna.com](http://www.apexdyna.com) and Design Tool to view your specific motor mounting system.

2. AF050 ratio 5, 10 offers C3 ≤ 12 option; AF070 ratio 5, 10 offers C3 ≤ 16 option.

# Dimensions (2-stage, Ratio $i=15\sim 100$ ) / AE Series



[unit: mm]

Dimension	AE050	AE070	AE090	AE120	AE155	AE205	AE235
D1	44	62	80	108	140	184	210
D2	M4 x 0.7P	M5 x 0.8P	M6 x 1P	M8 x 1.25P	M10 x 1.5P	M12 x 1.75P	M16 x 2P
D3 $_{j6}$	12	16	22	32	40	55	75
D4 $_{h6}$	35	52	68	90	120	160	180
D5	22	22	30	40	75	95	115
D6	M4 x 0.7P	M5 x 0.8P	M8 x 1.25P	M12 x 1.75P	M16 x 2P	M20 x 2.5P	M20 x 2.5P
D7	53	70	104	130	162	205	260
D8	50	70	90	120	155	205	235
D9	45.5	45.5	53.4	77	102	125	160
L1	--	--	33.5	38	50	--	70
L2	24.5	36	46	70	97	100	126
L3	4	6.5	8.5	17.5	15	15	18
L4	1	1	1	1.5	3	3	3
L5	14	25	32	40	63	70	90
L6	2	2	3	5	5	6	7
L7	8	10	12	16	20	22	28
L8	74	87.5	113.5	138.5	176	214.5	260
L9	4.5	4.8	7.2	10	12	15	15
L10	10	12.5	19	28	36	42	42
C1 <sup>3</sup>	46	46	70	100	130	165	215
C2 <sup>3</sup>	M4 x 0.7P	M4 x 0.7P	M5 x 0.8P	M6 x 1P	M8 x 1.25P	M10 x 1.5P	M12 x 1.75P
C3 <sup>3</sup>	$\leq 11 / \leq 12$	$\leq 11 / \leq 12$	$\leq 14 / \leq 15.875 / \leq 16$	$\leq 19 / \leq 24$	$\leq 32$	$\leq 38$	$\leq 48$
C4 <sup>3</sup>	30	30	34	40	50	60	85
C5 <sup>3</sup>	30	30	50	80	110	130	180
C6 <sup>3</sup>	3.5	3.5	8	4	5	6	6
C7 <sup>3</sup>	48	48	60	90	115	142	190
C8 <sup>3</sup>	19.5	19.5	19	17	19.5	22.5	29
C9 <sup>3</sup>	118	143	178.5	225.5	292.5	337	415
C10 <sup>3</sup>	13.25	13.25	13.5	10.75	13	15	20.75
C11 <sup>3</sup>	19.5	19.5	37	35.5	46	53.5	79.5
B1 $_{h9}$	4	5	6	10	12	16	20
H1	14	18	24.5	35	43	59	79.5

3. C1-C11 are motor specific dimensions (metric std shown). Refer to [www.apexdyna.com](http://www.apexdyna.com) and Design Tool to view your specific motor mounting system.

# Specifications / AER Series

## Gearbox Performance

Model No.	Stage	Ratio <sup>A</sup>	AER050	AER070	AER090	AER120	AER155	AER205	AER235	
Nominal output torque $T_{2N}$	1	3	9	36	90	195	342	588	1,140	
		4	12	48	120	260	520	1,040	1,680	
		5	15	60	150	325	650	1,200	2,000	
		6	18	55	150	310	600	1,100	1,900	
		7	19	50	140	300	550	1,100	1,800	
		8	17	45	120	260	500	1,000	1,600	
		9	14	40	100	230	450	900	1,500	
		10	14	60	150	325	650	1,200	2,000	
		14	-	42	140	300	550	1,100	1,800	
		20	-	40	100	230	450	900	1,500	
	2	15	14	-	-	-	-	-	-	-
		20	14	-	-	-	-	-	-	-
		25	15	60	150	325	650	1,200	2,000	
		30	20	55	150	310	600	1,100	1,900	
		35	19	50	140	300	550	1,100	1,800	
		40	17	45	120	260	500	1,000	1,600	
		45	14	40	100	230	450	900	1,500	
		50	14	60	100	230	650	1,200	2,000	
		60	20	55	150	310	600	1,100	1,900	
		70	19	50	140	300	550	1,100	1,800	
80	17	45	120	260	500	1,000	1,600			
90	14	40	100	230	450	900	1,500			
100	14	40	100	230	450	900	1,500			
120	-	-	150	310	600	1,100	1,900			
140	-	-	140	300	550	1,100	1,800			
160	-	-	120	260	550	1,000	1,600			
180	-	-	100	230	450	900	1,500			
200	-	-	100	230	450	900	1,500			
Emergency Stop Torque $T_{2NOT}$ <sup>B</sup>	Nm	1,2	3~200							
Nominal Input Speed $n_{1N}$	rpm	1,2	3~200							
Max. Input Speed $n_{1B}$	rpm	1,2	3~200							
Backlash	arcmin	1	3~20							
		2	25~200							
Torsional Rigidity	Nm/arcmin	1,2	3~200							
Max. Radial Load $F_{2rB}$ <sup>C</sup>	N	1,2	3~200							
Max. Axial Load $F_{2aB}$ <sup>C</sup>	N	1,2	3~200							
Service Life <sup>D</sup>	hr	1,2	3~200							
Efficiency $\eta$	%	1	3~20							
		2	25~200							
Weight	kg	1	3~20							
		2	25~200							
Operating temp	°C	1,2	3~200							
Lubrication			-10°C~90°C							
Degree of gearbox protection		1,2	3~200							
Mounting position		1,2	3~200							
Noise ( $n_i=3000\text{rpm}, i=10, \text{No load}$ ) <sup>E</sup>	dB(A)	1,2	3~200							

## Gearbox Inertia

Model No.	Stage	Ratio <sup>A</sup>	AER050	AER070	AER090	AER120	AER155	AER205	AER235
Mass Moments of Inertia $J$	1	3~10	0.09	0.35	2.25	6.84	23.4	68.9	135.4
		14	-	0.07	1.87	6.25	21.8	65.6	119.8
		20	-	0.07	1.87	6.25	21.8	65.6	119.8
	2	15	0.09	-	-	-	-	-	-
		20	0.09	-	-	-	-	-	-
		25~100	0.09	0.09	0.35	2.25	6.84	23.4	68.9
		120~200	-	-	0.31	1.87	6.25	21.8	65.6

A. Ratio ( $i=N_{in}/N_{out}$ )

B. Max. acceleration torque  $T_{2B} = 60\%$  of  $T_{2NOT}$

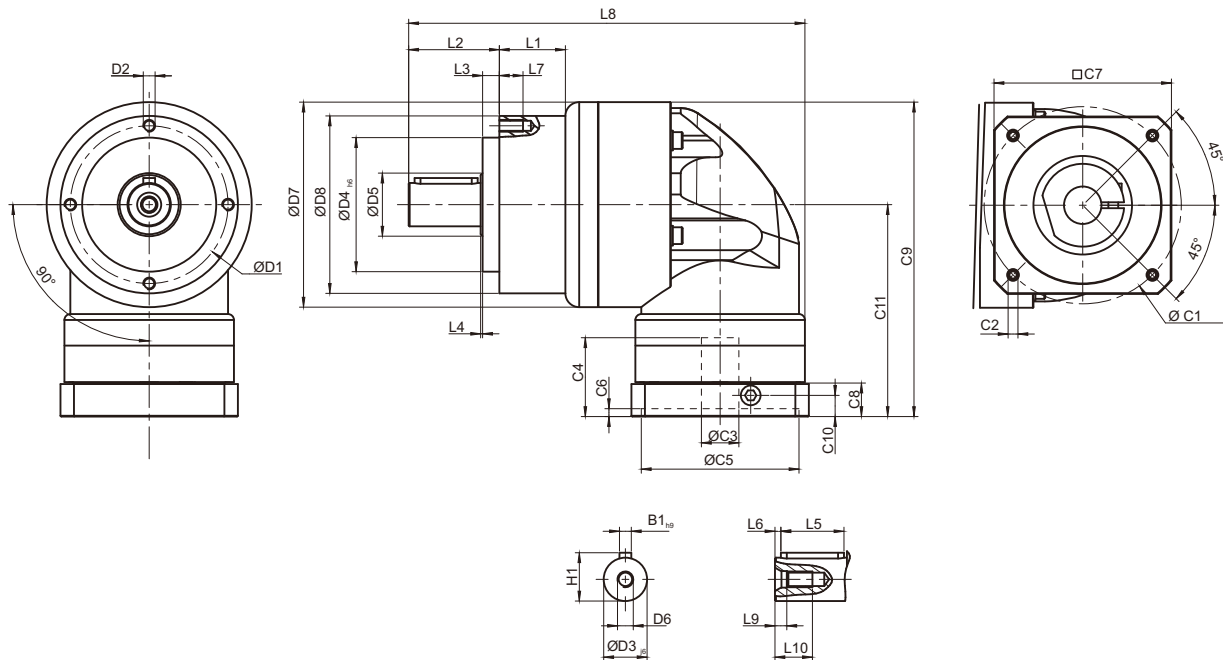
C. Applied to the output shaft center at 100 rpm

D. For continuous operation, the service life time is less than 10,000hrs

E. These values are measured by gearbox with ratio = 10 (1-stage) or ratio = 100 (2-stage) at 3,000 rpm without load.

By ratio smaller than 10, the noise value would be 3-5dB higher

# Dimensions (1-stage, Ratio $i=3\sim 20$ ) / AER Series



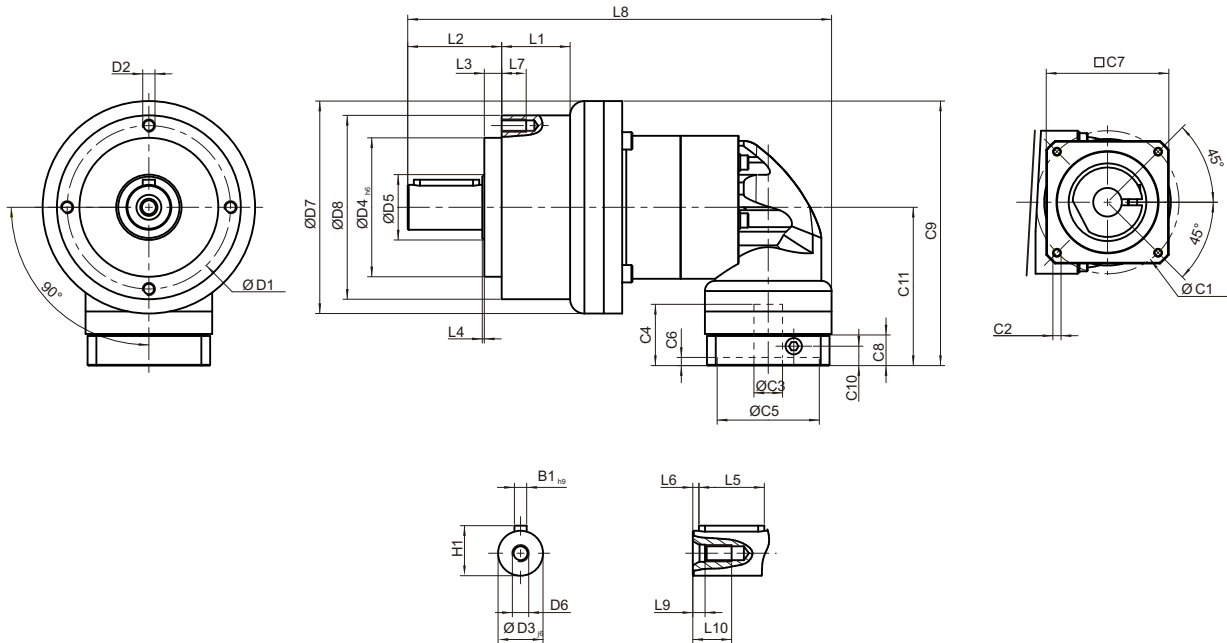
[unit: mm]

Dimension	AER050	AER070	AER090	AER120	AER155	AER205	AER235
D1	44	62	80	108	140	184	210
D2	M4 x 0.7P	M5 x 0.8P	M6 x 1P	M8 x 1.25P	M10 x 1.5P	M12 x 1.75P	M16 x 2P
D3 <sub>j6</sub>	12	16	22	32	40	55	75
D4 <sub>h6</sub>	35	52	68	90	120	160	180
D5	22	22	30	40	75	95	115
D6	M4 x 0.7P	M5 x 0.8P	M8 x 1.25P	M12 x 1.75P	M16 x 2P	M20 x 2.5P	M20 x 2.5P
D7	53	70	104	130	162	205	260
D8	50	70	90	120	155	205	235
L1	--	--	33.5	38	50	--	70
L2	24.5	36	46	70	97	100	126
L3	4	6.5	8.5	17.5	15	15	18
L4	1	1	1	1.5	3	3	3
L5	14	25	32	40	63	70	90
L6	2	2	3	5	5	6	7
L7	8	10	12	16	20	22	28
L8	115.5	146	201	252	324.5	379.5	461.5
L9	4.5	4.8	7.2	10	12	15	15
L10	10	12.5	19	28	36	42	42
C1 <sup>1</sup>	46	70	100	130	165	215	235
C2 <sup>1</sup>	M4 x 0.7P	M5 x 0.8P	M6 x 1P	M8 x 1.25P	M10 x 1.5P	M12 x 1.75P	M12 x 1.75P
C3 <sup>1</sup>	$\leq 11 / \leq 12$	$\leq 14 / \leq 16$	$\leq 19 / \leq 24$	$\leq 32$	$\leq 38$	$\leq 48$	$\leq 55$
C4 <sup>1</sup>	30	34	40	50	60	85	116
C5 <sup>1</sup>	30	50	80	110	130	180	200
C6 <sup>1</sup>	3.5	8	4	5	6	6	6
C7 <sup>1</sup>	48	60	90	115	142	190	220
C8 <sup>1</sup>	19.5	19	17	19.5	22.5	29	63
C9 <sup>1</sup>	100.5	116.5	159.5	199	245.5	316	398.5
C10 <sup>1</sup>	13.25	13.5	10.75	13	15	20.75	53.5
C11 <sup>1</sup>	74	81.5	107.5	134	164.5	213.5	268.5
B1 <sub>h9</sub>	4	5	6	10	12	16	20
H1	14	18	24.5	35	43	59	79.5

1. C1~C11 are motor specific dimensions (metric std shown). Refer to [www.apexdyna.com](http://www.apexdyna.com) and Design Tool to view your specific motor mounting system.



# Dimensions (2-stage, Ratio $i=15\sim 200$ ) / AER Series

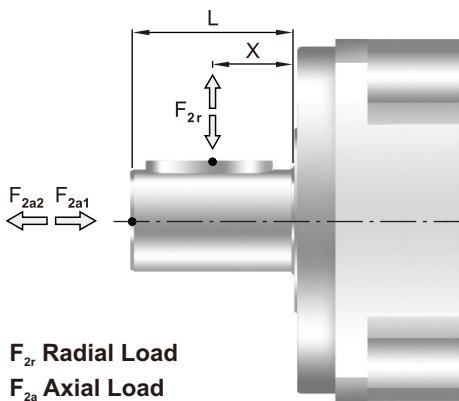


[unit: mm]

Dimension	AER050	AER070	AER090	AER120	AER155	AER205	AER235
D1	44	62	80	108	140	184	210
D2	M4 x 0.7P	M5 x 0.8P	M6 x 1P	M8 x 1.25P	M10 x 1.5P	M12 x 1.75P	M16 x 2P
D3 <sub>j6</sub>	12	16	22	32	40	55	75
D4 <sub>h6</sub>	35	52	68	90	120	160	180
D5	22	22	30	40	75	95	115
D6	M4 x 0.7P	M5 x 0.8P	M8 x 1.25P	M12 x 1.75P	M16 x 2P	M20 x 2.5P	M20 x 2.5P
D7	53	70	104	130	162	205	260
D8	50	70	90	120	155	205	235
L1	--	--	33.5	38	50	--	70
L2	24.5	36	46	70	97	100	126
L3	4	6.5	8.5	17.5	15	15	18
L4	1	1	1	1.5	3	3	3
L5	14	25	32	40	63	70	90
L6	2	2	3	5	5	6	7
L7	8	10	12	16	20	22	28
L8	142.5	167.5	207.5	283	358	422.5	506.5
L9	4.5	4.8	7.2	10	12	15	15
L10	10	12.5	19	28	36	42	42
C1 <sup>2</sup>	46	46	70	100	130	165	215
C2 <sup>2</sup>	M4 x 0.7P	M4 x 0.7P	M5 x 0.8P	M6 x 1P	M8 x 1.25P	M10 x 1.5P	M12 x 1.75P
C3 <sup>2</sup>	≤11 / ≤12	≤11 / ≤12	≤14 / ≤15.875 / ≤16	≤19 / ≤24	≤32	≤38	≤48
C4 <sup>2</sup>	30	30	34	40	50	60	85
C5 <sup>2</sup>	30	30	50	80	110	130	180
C6 <sup>2</sup>	3.5	3.5	8	4	5	6	6
C7 <sup>2</sup>	48	48	60	90	115	142	190
C8 <sup>2</sup>	19.5	19.5	19	17	19.5	22.5	29
C9 <sup>2</sup>	100.5	109	133.5	172.5	215	267	343.5
C10 <sup>2</sup>	13.25	13.25	13.5	10.75	13	15	20.75
C11 <sup>2</sup>	74	74	81.5	107.5	134	164.5	213.5
B1 <sub>h9</sub>	4	5	6	10	12	16	20
H1	14	18	24.5	35	43	59	79.5

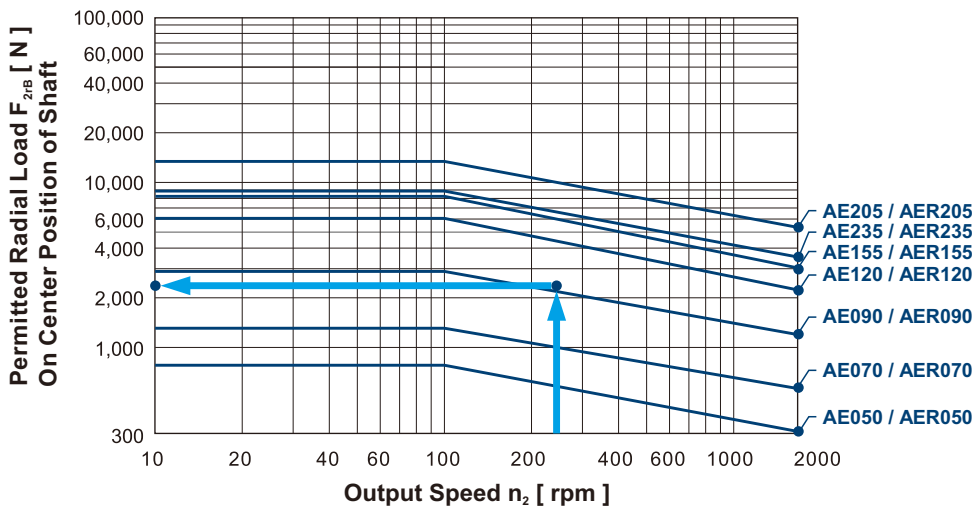
2. C1~C11 are motor specific dimensions (metric std shown). Refer to [www.apexdyna.com](http://www.apexdyna.com) and Design Tool to view your specific motor mounting system.

# Permitted Radial and Axial Loads

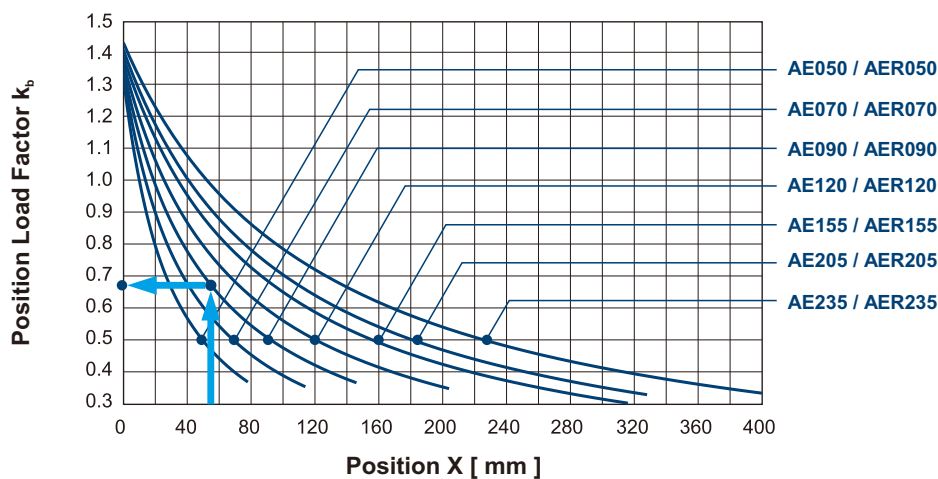


The permitted radial and axial loads on output shaft of the gearbox depend on the design of the gearbox supporting bearings. APEX use the extension straddle oversized ball bearing design. It can take heavy load from both axes.

$F_{2r}$  Radial Load  
 $F_{2a}$  Axial Load



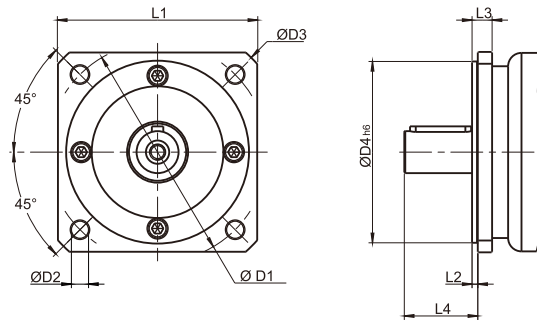
If radial force  $F_{2r}$  exert on the center of the output shaft  $X=1/2 \times L$ . Under various operating condition the lifetime is over 20,000 hours\*  
 The permitted radial load is given on left diagram.



If radial force  $F_{2r}$  not exert on the center of the output shaft  $X < 1/2 \times L$  or  $X > 1/2 \times L$ . The permitted radial and axial load can be calculated by the position load factor  $k_b$  on the left diagram.

\* S1 service life 10,000 hrs

# Front Plate Option



[unit: mm]

Dimension	D1	D2	D3	D4 <sup>h6</sup>	L1	L2	L3	L4
AE050(AER050)-NEMA 23	66.675	6	77	38.1	57.2	2	8	18.5
AE050(AER050)-PX60	70	5.6	80.5	50	60	2.5	8.5	18.5
AE070(AER070)-Metric	90	6.6	106	50	80	3	11	28
AE070(AER070)-NEMA 34	98.425	5.6	115	73.08	86	2.5	8	30.5
AE070(AER070)-DT90 / PX90	100	6.6	120	80	90	3	8	31
AE090(AER090)-IEC 63D5 B5	115	9	140	95	105	3	10.5	38.5
AE090(AER090)-NEMA 34	98.425	5.5	122	73.025	92	2.5	12.5	36
AE090(AER090)-DT90 / PX90	100	6.5	122	80	92	2.5	12.5	36
AE090(AER090)-NEMA 42	125.73	7	144	55.58	107	4	14.5	35.5
AE120(AER120)-NEMA 42	125.73	7.1	170	55.499	127	1.5	21.5	50
AE120(AER120)-NEMA 56	149.225	6.6	170	114.3	127	3	17.5	55.5
AE155(AER155)-B5	175	11	196	130	160	5	20	82
AE205(AER205)-B5	230	13	277	180	210	5	23	82
AE235(AER235)-B5	275	17	317	235	240	5	23	108



**APEX TAIWAN NORTH  
ANDTEK AUTOMATION CO.,LTD**  
TEL +886-02-82262655  
13F-5, No.2, Jian 8th Rd., Jhonghe Dist., New  
Taipei City 235, TAIWAN  
sales@andtek.com.tw  
www.apexdyna.com



**APEX TAIWAN CENTRAL  
ANDTEK AUTOMATION CO.,LTD**  
TEL +886-04-23594286  
9F-6, No.925, Sec.4, Taiwan Blvd., Xitun Dist.  
Taichung City 407 TAIWAN  
sales@andtek.com.tw  
www.apexdyna.com



**APEX TAIWAN SOUTH  
MEN JENN ELECTRIC CO., LTD.**  
TEL +886-06-2337332 ~ 6  
No.774, Zhonghua Rd., Yongkang Dist., Tainan  
City 710, TAIWAN  
menjenn@ms24.hinet.net  
www.apexdyna.com



**APEX DYNAMICS INC. SHANGHAI**  
TEL +86-21-69220577  
No.128 ZHUYING Road QINGPU Industry Area,  
Shanghai, CHINA  
sales@apexdyna.cn  
www.apexdyna.cn



**APEX DYNAMICS SHENZHEN, LTD.**  
TEL +86-755-84516325  
No. 1102A of D area , CFG mansion ,Bao Yuan  
Road, Bao'an District, Shenzhen ,CHINA.  
sales@szapexdyna.com  
www.szapexdyna.com



**APEX DYNAMICS BEIJING, LTD.**  
TEL +86-10-69570691  
NO.1,YaoPingRoad,SongZhuang Town, Tongzhou  
istrict, Beijing, CHINA.  
bjapexdyna@163.com  
www.bjapex.cn



**CHONGQING APEX DYNAMICS CO., LTD.**  
TEL +86-23-67686860  
406, Building 5, No.68, Jinyu Avenue, Beibu New  
Area, Chongqing, CHINA  
sales@cqapexdyna.com  
www.apexdyna.com



**APEX (XIAMEN) DYNAMICS TECHNOLOGY CO., LTD.**  
TEL +86-0592-720-5279  
Unit B-3,1F.,No.129,Jingquan Road, Jimei District,  
Xiamen,Fujian, CHINA  
sales@xmapexdyna.com  
www.xmapexdyna.com



**APEX DYNAMICS USA, INC.**  
TEL +1-631-2449040  
885 Marconi Avenue Ronkonkoma, NY 11779  
U.S.A.  
sales@apexdynamicsusa.com  
www.apexdynamicsusa.com



**APEX DYNAMICS KOREA**  
TEL +82-31-8179992  
1246-32, Seongsuk-dong, Ilsandong-gu, Goyang-city,  
Gyeonggi-Do, KOREA (R.O.K) 410-570  
sales@apexdynakorea.co.kr  
www.apexdynakorea.co.kr



**APEX DYNAMICS JAPAN**  
TEL +81-092-4511202  
1-13-3, Sannou, Hakata-ku, Fukuoka-Shi 812-0015,  
JAPAN  
sales@apexdyna.jp  
www.apexdyna.jp



**APEX DYNAMICS SINGAPORE PTE LTD**  
TEL +65-62-626228  
3 South Buona Vista Road, #05-15 & #06-15.  
SINGAPORE 118136  
sales@apexdyna.com.sg  
www.apexdyna.com.sg



**APEX DYNAMICS (THAILAND) CO., LTD.**  
TEL +66-2-3266233  
73 Soi Ladkrabang 30, Kadkrabang Rd.,Bangkok  
10520, THAILAND  
sales@apexdyna.co.th  
www.apexdyna.co.th



**APEX DYNAMICS BV**  
TEL +31-492-509995  
Churchillaan 101 5705 BK Helmond, NETHERLANDS  
sales@apexdyna.nl  
www.apexdyna.nl



**APEX DYNAMICS  
POLSKA SP. Z O.O.**  
TEL +48-12-6304728  
Krakowska 50, 32-083 Balice, POLAND  
sales@apexdyna.pl  
www.apexdyna.pl



**APEX DYNAMICS SPAIN, S.L.**  
TEL +34-93-6562990  
Poligono Industrial Moli dels Freres, Calle C n°  
12, 08620 - Sant Vicenç dels Horts, Barcelona, SPAIN  
apexdyna@apexdyna.es  
www.apexdyna.es



**APEX DYNAMICS IRAN.**  
TEL +98-21-66593517  
APT#6, 3rd Flr, No.5, 3rd Kowsar St., Sattarkhan  
Ave., Tehran, IRAN  
alahyari@farasvco.com  
www.apexdyna.ir



**APEKS REDUKTOR VE DISLI SAN. TIC. LTD. STI.**  
TEL +90-232-4589960  
10042 Sok.No:10 AOSB Çiğli-Izmir, TURKEY  
sales@apexdyna.com.tr  
www.apexdyna.com.tr



**APEX DYNAMICS AUSTRALIA PTY LTD.**  
TEL +613-95-852739  
36 Taunton Drive, Cheltenham, Victoria 3192  
AUSTRALIA.  
sales@apexdyna.com.au  
www.apexdyna.com.au



**APEX DYNAMICS (I) JV**  
TEL +91-80-55345541  
GAT NO. 279, KHED SHIVAPUR BAUG, TALUKA  
HAVELI PUNE - 412205 INDIA.  
sales@apexdyna.co.in  
www.apexdyna.co.in



**APEX DYNAMICS FRANCE SAS**  
TEL +33-160-135097  
11 - Burospace F - 91570 -  
Bièvres, FRANCE  
info@apexdyna.fr  
www.apexdyna.fr



**APEX DYNAMICS SWEDEN AB**  
TEL +46-75-242444  
Fredrikbergsgatan 2 SE-573 92 Tranås, SWEDEN  
sales@apexdyna.se  
www.apexdyna.se



**PT.APEX DYNAMICS INDONESIA**  
TEL +62 21 2928 3681  
Rukan Aralia Blok HY43 no.11, Harapan Indah II,  
Bekasi - Jawa Barat, INDONESIA 17214  
sales@apexdyna.co.id  
www.apexdyna.co.id



**APEX DYNAMICS GERMANY GMBH**  
TEL +49-7181-9329955  
Spanninger Str. 9, 73650 Winterbach, GERMANY  
Langer@apexdynamics.de  
www.apexdynamics.de



**APEX DYNAMICS CZECH S.R.O.**  
TEL +420-577-663877  
tř. Tomáše Bati 1851 765 02 Otrokovice ČESKÁ  
REPUBLIKA  
info@apexdynaczech.cz  
www.apexdynaczech.cz



**APEX DYNAMICS РОССИЯ**  
TEL +7-495-2255452  
+7-495-6462422  
г.Москва, ул. Южнопортовая, дом 7, строение  
"С", 3-й этаж  
info@apexdynarussia.ru  
www.apexdynarussia.ru



**APEX DYNAMICS UK LIMITED**  
TEL +44-1827-253340  
2 Centurion Way, Centurion Park, Tamworth  
Staffs, B77 5PN, UK  
sales@apexdynamicsuk.com  
www.apexdynamicsuk.com



**APEX DYNAMICS SWITZERLAND AG**  
TEL +41-55-4517020 Talstrasse 24, CH-8852  
Altendorf, SWITZERLAND  
info@apexdyna.ch  
www.apexdyna.ch



**APEX DYNAMICS MOTION SDN BHD**  
TEL +60 7237 1055  
No.1, Jalan Perniagaan Setia 3, Taman  
Perniagaan Setia, 81100 Johor Bahru, Johor,  
MALAYSIA (Setia Business Park 2 @ Iskandar  
Malaysia)  
sales@apexdyna.com.sg  
www.apexdyna.com.sg



**APEX DYNAMICS BRAZIL**  
TEL +55-47-30298700  
Rua Senador Petrônio Portela, 47 - Bloco 5, Zona  
Industrial Norte - CEP 89218-575 - Joinville (SC)  
lucan@neoyama.com.br  
adriano.duarte@neoyama.com.br  
www.neoyama.com.br



**APEX DYNAMICS ITALY**  
TEL +39 02.36634521  
VIA E. DE AMICIS, 2 – 20091 BRESSO (MI)  
info@apexdynamics.it  
www.apexdynamics.it



## APEX DYNAMICS, INC.

No.10, Keyuan 3rd RD.Situn District, Taichung City 40763, Taiwan (R.O.C)  
Tel:886-4-24650219 | Fax:886-4-24650118  
sales@apexdyna.com | http://www.apexdyna.com

APEX-2017-06-AE/AER Series-4.0E-TWN

Printed in Taiwan

