



APEX DYNAMICS, INC.

SMART LUBRICATION SYSTEM



Lubrication System

Main Features

CE & ATEX Certification

Support up to 40 Lubrication Positions

Lubrication Frequency Adjustable

Hand-Set and PLC Control Mode

Memory Function

Fill Level Monitoring and Electrical Self-Protection



LUG 400



LUG 2000

Order Code of Lubricator

LUG - 411 / 412 / 422 / 423 / 424

No. of Outlet	No. of Pump	No. of Lubrication Position
LUG-411 : 1	LUG-411 : 1	LUG-411 : max.4
LUG-412 : 2	LUG-412 : 1	LUG-412 : max.8
LUG-422 : 2 (1+1)	LUG-422 : 2	LUG-422 : max.8
LUG-423 : 3 (2+1)	LUG-423 : 2	LUG-423 : max.12
LUG-424 : 4 (2+2)	LUG-424 : 2	LUG-424 : max.16

LUG - 2102 / 2204 / 2306 / 2408 / 2510

No. of Outlet	No. of Pump	No. of Lubrication Position
LUG-2102 : 2	LUG-2102 : 1	LUG-2102 : max. 8
LUG-2204 : 4	LUG-2204 : 2	LUG-2204 : max. 16
LUG-2306 : 6	LUG-2306 : 3	LUG-2306 : max. 24
LUG-2408 : 8	LUG-2408 : 4	LUG-2408 : max. 32
LUG-2510 : 10	LUG-2510 : 5	LUG-2510 : max. 40



©2018 by APEX DYNAMICS, INC.

APEX DYNAMICS, INC. reserves modification and copyrights of all technical specifications, illustrations and drawings in this catalog in allowance for continuous products development and advancement.

For the newest data and information, please visit <http://www.apexdyna.com/>

Performance of LUG 400

Technical Specification	
Dimension (Width x Height x Depth)	167 mm x 196 mm x 94 mm
Weight (No Lubricant)	1780 g
Volume of Lubricant	400 cm ³
Lubricant Type	Grease up to NLGI 3
Pump	Piston Pump
Operating Pressure	Max. 70 bar (1,000 psi)
Delivery Volume Per Pulse / Stroke	0.15 cm ³
No. of Outlet	Max. 4 Tube Connectors ⁽¹⁾
No. of Lubrication Position	Max. 16 ⁽²⁾
Outlet Connection	PA Tube
Operating Voltage	24V DC
Current Consumption	I _{max} 500 mA
Connecting Plug	M12 X 1, 5-PIN
IP Class	IP65
Operating Temperature	-25° C ~ 70° C
Control	PLC, Hand-Set Controller ⁽³⁾
Pressure Monitoring	System Pressure Measurement
Oil Fill Monitoring	Reed Switch

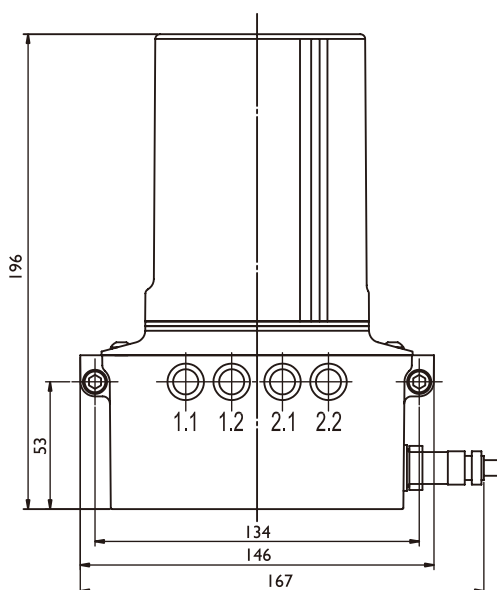
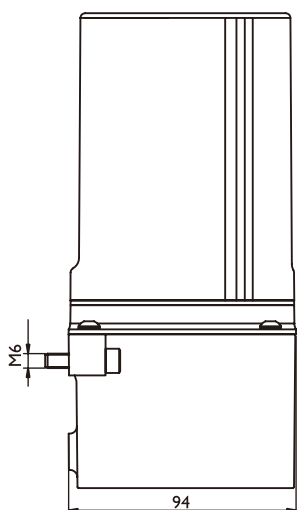
Lubricator

No. of Outlet	No. of Pump	No. of Lubrication Position ⁽²⁾	Order Code
1	1	max. 4	LUG-411
2	1	max. 8	LUG-412
2 (1 + 1)	2	max. 8	LUG-422
3 (2 + 1)	2	max. 12	LUG-423
4 (2 + 2)	2	max. 16	LUG-424

(1) Connector Dimension M10.

(2) Requiring use of a Distributor.

(3) Hand-Set is not included in lubricator and is to order separately.



Performance of LUG 2000

Technical Specification	
Dimension (Width x Height x Depth)	197 mm x 286.5 mm x 175 mm
Weight (No Lubricant)	4000 g
Volume of Lubricant	2000 cm ³
Lubricant Type	Oil
Pump	Piston Pump
Operating Pressure	Max. 70 bar (1,000 psi)
Delivery Volume Per Pulse / Stroke	0.15 cm ³
No. of Outlet	Max. 10 (In-Line Connector) ⁽¹⁾
No. of Lubrication Position	Max. 40 ⁽²⁾
Outlet Connection	PA Tube
Operating Voltage	24V DC
Current Consumption	I _{max} ≤ 500 mA
Connecting Plug	M12 x 1, 5-PIN
IP Class	IP65
Operating Temperature	-25° C ~ 70° C
Control	PLC, Hand-Set Controller ⁽³⁾
Pressure Monitoring	System Pressure Measurement
Oil Fill Monitoring	Reed Switch

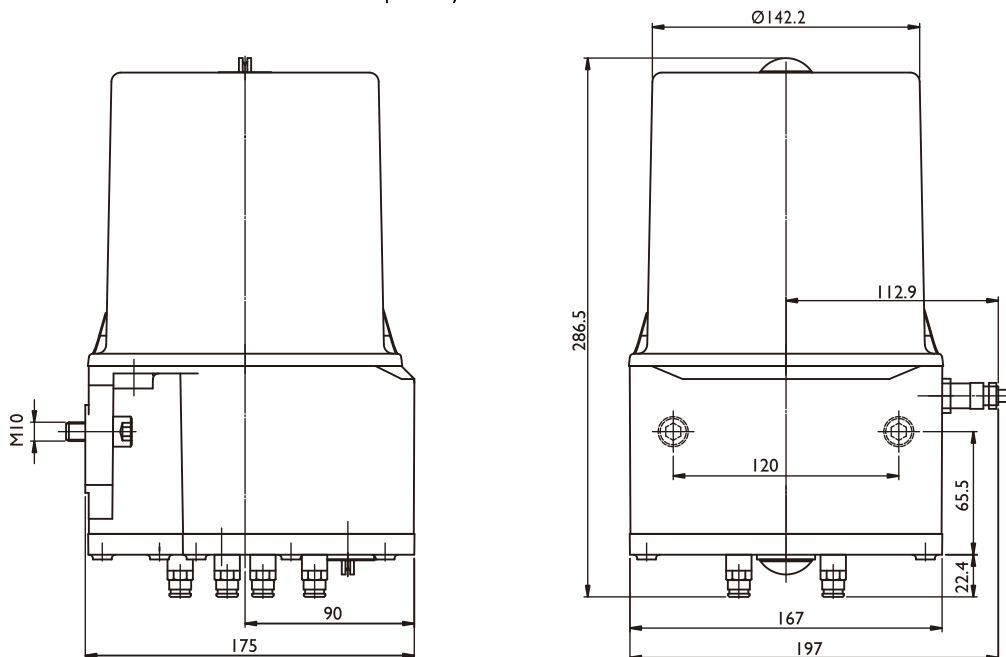
Lubricator

No. of Outlet	No. of Pump	No. of Lubrication Position ⁽²⁾	Order Code
2	1	max. 8	LUG-2102
4	2	max. 16	LUG-2204
6	3	max. 24	LUG-2306
8	4	max. 32	LUG-2408
10	5	max. 40	LUG-2510

(1) Connector Dimension M10.

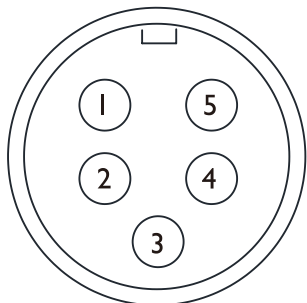
(2) Requiring use of a Distributor.

(3) Hand-Set is not included in lubricator and is to order separately.



Power System

- 24V DC is applied to the Lubricator. Any electrical interference during power connection should be avoided.



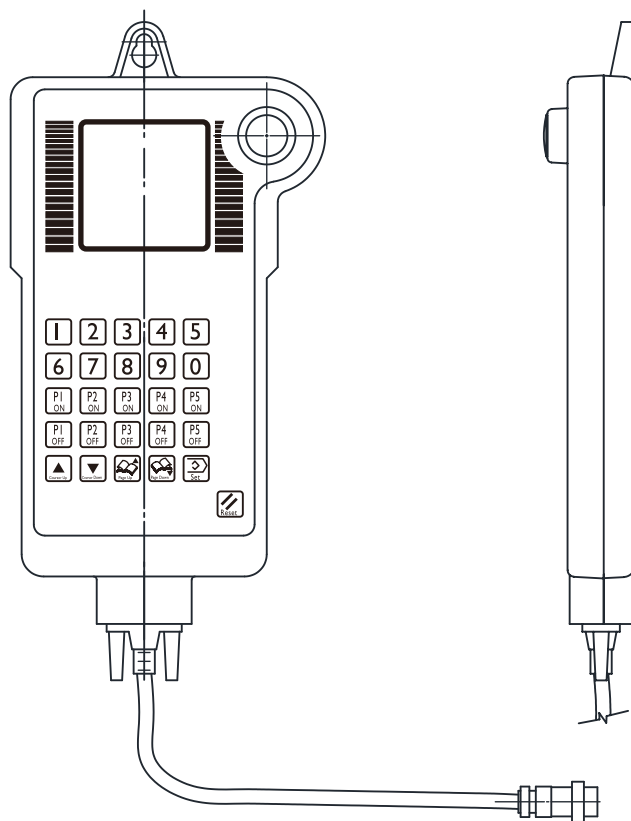
5-Pin Socket

The connection between lubricator and controller via 5-Pin Socket.

- PIN 1 : Output Signal
- PIN 2 : Input Signal
- PIN 3 : FGND
- PIN 4 : Input 24V DC
- PIN 5 : GND

- Hand-Set Controller (Order Code : EC01)

After set-up of lubricator, the Hand-Set Controller can be removed. Please also refer to Manual of Installation.



Lubrication of Rack & Pinion

- As transmission devices, Rack and Pinion are often exposed to air and may oxidised. It's highly recommended to use APEX PU Lubrication Pinion to perform greasing and uniform distribution of lubricant on all teeth surfaces.
- Open-Cell Polyurethane Foam of PU Lubrication Pinion can absorb a certain amount of lubricant. Standard Involute Teeth Design can fit perfectly the teeth of Rack and Pinion without any loading by lubrication. Under long-time operation condition, PU Lubrication Pinion provides an automatic lubrication process on transmission devices to reduce wearing, but no over-lubrication.
- First soak PU Lubrication Pinion in lubricant to allow an immediate application. The Feeding Rate of lubricant depends on Module No. and Speed, can be adjusted by controller. Please also refer to Table I below showing Lubricant Volume vs. Module No..

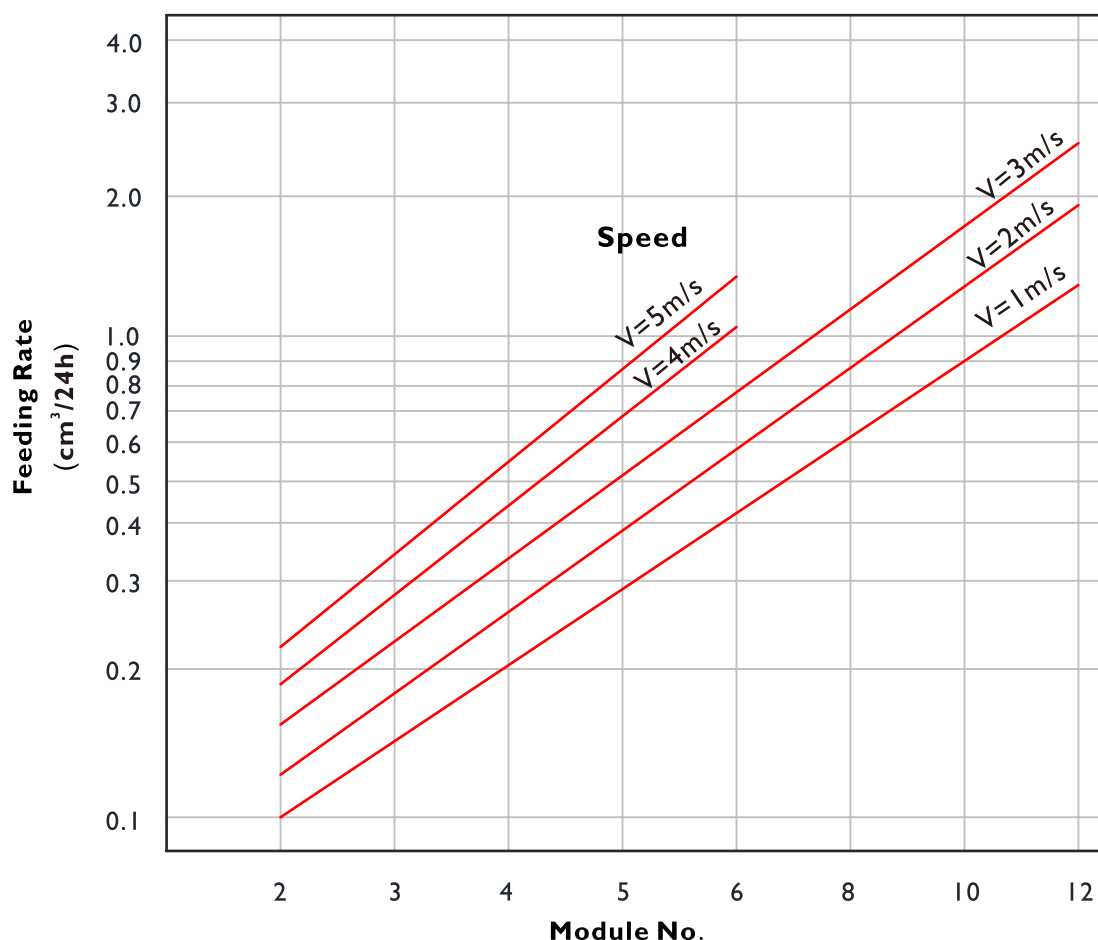
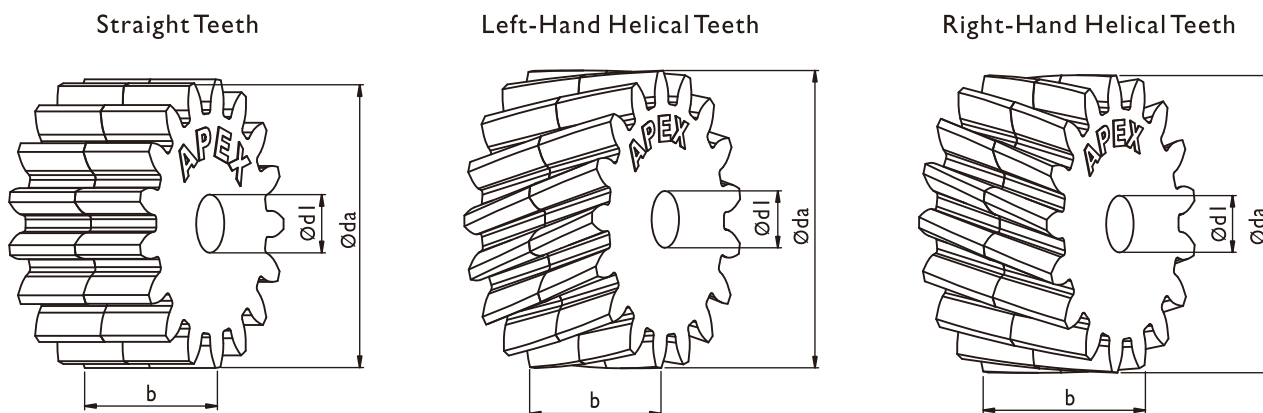


Table I

PU Lubrication Pinion

Effective Lubrication can be achieved through the use of APEX Lubrication System especially for Rack and Pinion. For uniform distribution of lubricant over rack surface, it's recommend to use a driving Pinion to allow evenly greasing.



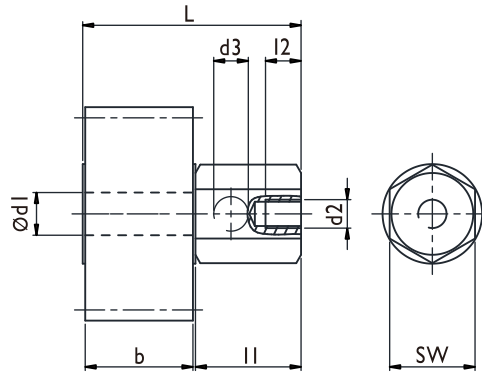
Module No.	Z ⁽¹⁾	Application	da ⁽²⁾	dF ⁽³⁾	dI	b	Order Code	Central Height a
1	36	Straight Teeth	38	36	12	15	PU-01-36S	$a = \frac{d + dF}{2} \text{ (4)}$ $A = h_o + \frac{dF}{2} \text{ (5)}$
		Rack (Left-Hand Helical)	40.2	38.2			PU-01-36L	
		Pinion (Right-Hand Helical)	40.2	38.2			PU-01-36R	
1.5	24	Straight Teeth	39	36	12	20	PU-1J-24S	
		Rack (Left-Hand Helical)	41.2	38.2			PU-1J-24L	
		Pinion (Right-Hand Helical)	41.2	38.2			PU-1J-24R	
2	17	Straight Teeth	38	34	12	25	PU-02-17S	
		Rack (Left-Hand Helical)	40.1	36.1			PU-02-17L	
		Pinion (Right-Hand Helical)	40.1	36.1			PU-02-17R	
2.5	17	Straight Teeth	47.5	42.5	12	25	PU-2J-17S	
		Rack (Left-Hand Helical)	50.1	45.1			PU-2J-17L	
		Pinion (Right-Hand Helical)	50.1	45.1			PU-2J-17R	
3	17	Straight Teeth	57	51	12	30	PU-03-17S	
		Rack (Left-Hand Helical)	60.1	54.1			PU-03-17L	
		Pinion (Right-Hand Helical)	60.1	54.1			PU-03-17R	
4	17	Straight Teeth	76	68	12	40	PU-04-17S	
		Rack (Left-Hand Helical)	80.2	72.2			PU-04-17L	
		Pinion (Right-Hand Helical)	80.2	72.2			PU-04-17R	
5	17	Straight Teeth	95	85	20	50	PU-05-17S	
		Rack (Left-Hand Helical)	100.2	90.2			PU-05-17L	
		Pinion (Right-Hand Helical)	100.2	90.2			PU-05-17R	
6	17	Straight Teeth	114	102	20	60	PU-06-17S	
		Rack (Left-Hand Helical)	120.2	108.2			PU-06-17L	
		Pinion (Right-Hand Helical)	120.2	108.2			PU-06-17R	
8	17	Straight Teeth	152	136	20	80	PU-08-17S	
		Rack (Left-Hand Helical)	160.3	144.3			PU-08-17L	
		Pinion (Right-Hand Helical)	160.3	144.3			PU-08-17R	
10	17	Straight Teeth	190	170	20	100	PU-10-17S	
		Rack (Left-Hand Helical)	200.4	180.4			PU-10-17L	
		Pinion (Right-Hand Helical)	200.4	180.4			PU-10-17R	
12	14	Straight Teeth	192	168	25	120	PU-12-14S	
		Rack (Left-Hand Helical)	202.3	178.3			PU-12-14L	
		Pinion (Right-Hand Helical)	202.3	178.3			PU-12-14R	
1.591 (Pt 5)	24	Straight Teeth	41.4	38.2	12	20	PU-1K-24S	
3.183 (Pt 10)	17	Straight Teeth	60.5	54.1	12	30	PU-3B-17S	
4.244 (Pt 13.33)	17	Straight Teeth	80.6	72.1	12	40	PU-4D-17S	

(1) No. of Teeth (2) Tip Diameter (3) Pitch Diameter (4) Central Distance between PU Pinion and Pinion (d = Pinion Pitch Diameter)

(5) Central Distance between PU Pinion and Rack Bottom (h_o = Height between Rack's pitch line to bottom)

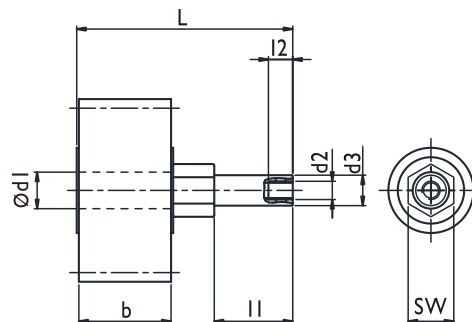
Tightening Shaft for PU Pinion

Tightening Shaft (Right-Angle)



Module No.	L	l1	l2	b	d1	d2	Hole d3	SW	Order Code
1	46.4	30	10	15	12	M8	G 1/8"	24	AUX-01-1
1.5	51.4	30	10	20	12	M8	G 1/8"	24	AUX-1J-1
2	56.4	30	10	25	12	M8	G 1/8"	24	AUX-02-1
2.5	56.4	30	10	25	12	M8	G 1/8"	24	
3	61.4	30	10	30	12	M8	G 1/8"	24	AUX-03-1
4	71.4	30	10	40	12	M8	G 1/8"	24	AUX-04-1
5	81.4	30	10	50	20	M8	G 1/8"	24	AUX-05-1
6	91.4	30	10	60	20	M8	G 1/8"	24	AUX-06-1
8	111.4	30	10	80	20	M8	G 1/8"	24	AUX-08-1
10	131.4	30	10	100	20	M8	G 1/8"	24	AUX-10-1
12	152	30	10	120	25	M8	G 1/8"	30	AUX-12-1
1.591 (Pt 5)	51.4	30	10	20	12	M8	G 1/8"	24	AUX-1J-1
3.183 (Pt 10)	61.4	30	10	30	12	M8	G 1/8"	24	AUX-03-1
4.244 (Pt 13.33)	71.4	30	10	40	12	M8	G 1/8"	24	AUX-04-1

Tightening Shaft (In-Line)



Module No.	L	l1	l2	b	d1	Hole d2	d3	SW	Order Code
1	56	30	12	15	12	M6	M10	17	AUX-01-2
1.5	61	30	12	20	12	M6	M10	17	AUX-1J-2
2	66	30	12	25	12	M6	M10	17	AUX-02-2
2.5	66	30	12	25	12	M6	M10	17	
3	71	30	12	30	12	M6	M10	17	AUX-03-2
4	81	30	12	40	12	M6	M10	17	AUX-04-2
5	116	49	12	50	20	G 1/8"	M16	24	AUX-05-2
6	126	49	12	60	20	G 1/8"	M16	24	AUX-06-2
8	146	49	12	80	20	G 1/8"	M16	24	AUX-08-2
10	166	49	12	100	20	G 1/8"	M16	24	AUX-10-2
12	186.6	49	12	120	25	G 1/8"	M16	30	AUX-12-2
1.591 (Pt 5)	61	30	12	20	12	M6	M10	17	AUX-1J-2
3.183 (Pt 10)	71	30	12	30	12	M6	M10	17	AUX-03-2
4.244 (Pt 13.33)	81	30	12	40	12	M6	M10	17	AUX-04-2

Distributor

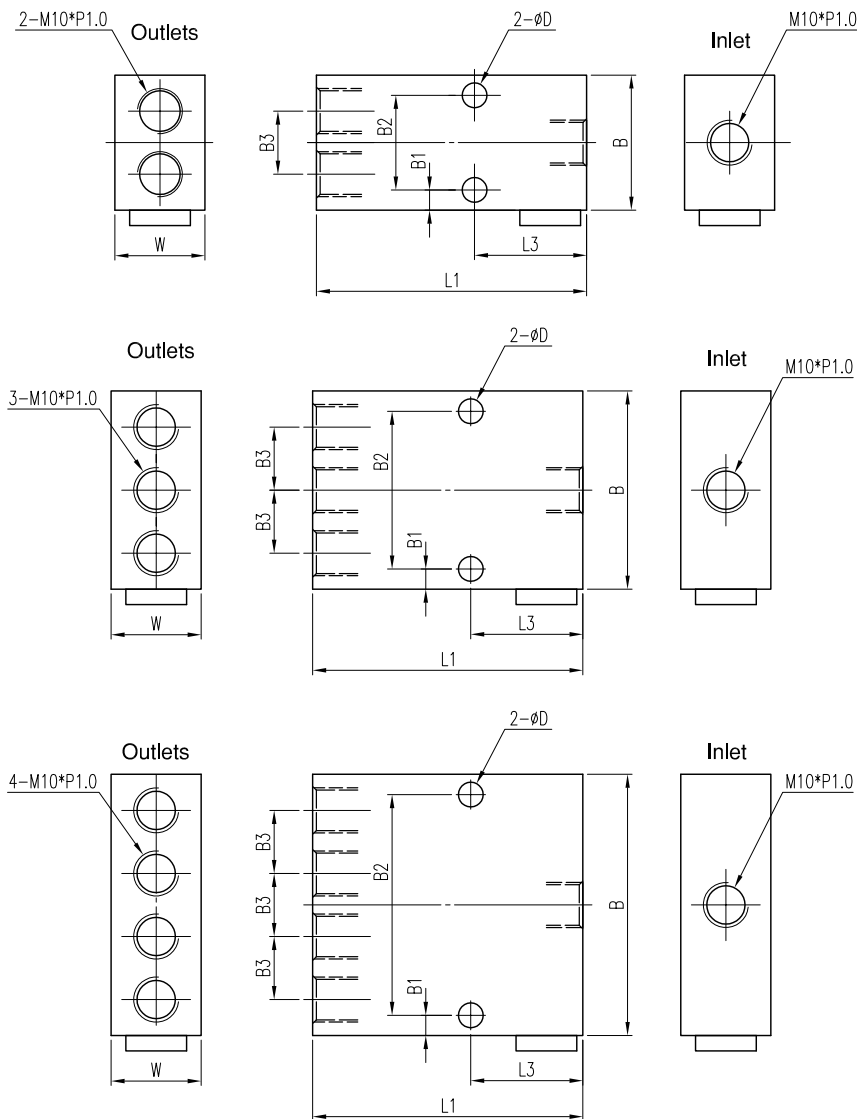
■ Distributor supports up to 4 lubrication positions. Remark for operation:

The distance between Distributor and Lubricator outlet should be kept as short as possible.

Install only one distributor at outlet, do not connect distributors in series.

The pressure difference between all lubrication outlets should not exceed 8 bar.

To use PA tube with same cross-section and similar length.



No. of Inlet	No. of Outlet	L1	L3	B	B1	B2	B3	D	W	Order Code			
										Aluminum Alloy		Stainless	
										Grease	Oil	Grease	Oil
I	2	60	24.9	30	4.5	21	14	5.5	20	SPL-602	SPL-612	SPLS-602	SPLS-612
I	3	60	24.9	44	4.5	35	14	5.5	20	SPL-603	SPL-613	SPLS-603	SPLS-613
I	4	60	24.9	58	4.5	49	14	5.5	20	SPL-604	SPL-614	SPLS-604	SPLS-614
I	2	60	24.9	32	4.5	23	16	5.5	20	SPL-802	SPL-812	SPLS-802	SPLS-812
I	3	60	24.9	48	4.5	39	16	5.5	20	SPL-803	SPL-813	SPLS-803	SPLS-813
I	4	60	24.9	64	4.5	55	16	5.5	20	SPL-804	SPL-814	SPLS-804	SPLS-814

According to required diameter, choose connector. (E.g. : SPLS-8 series is to select for Pipe diameter 8 mm.)

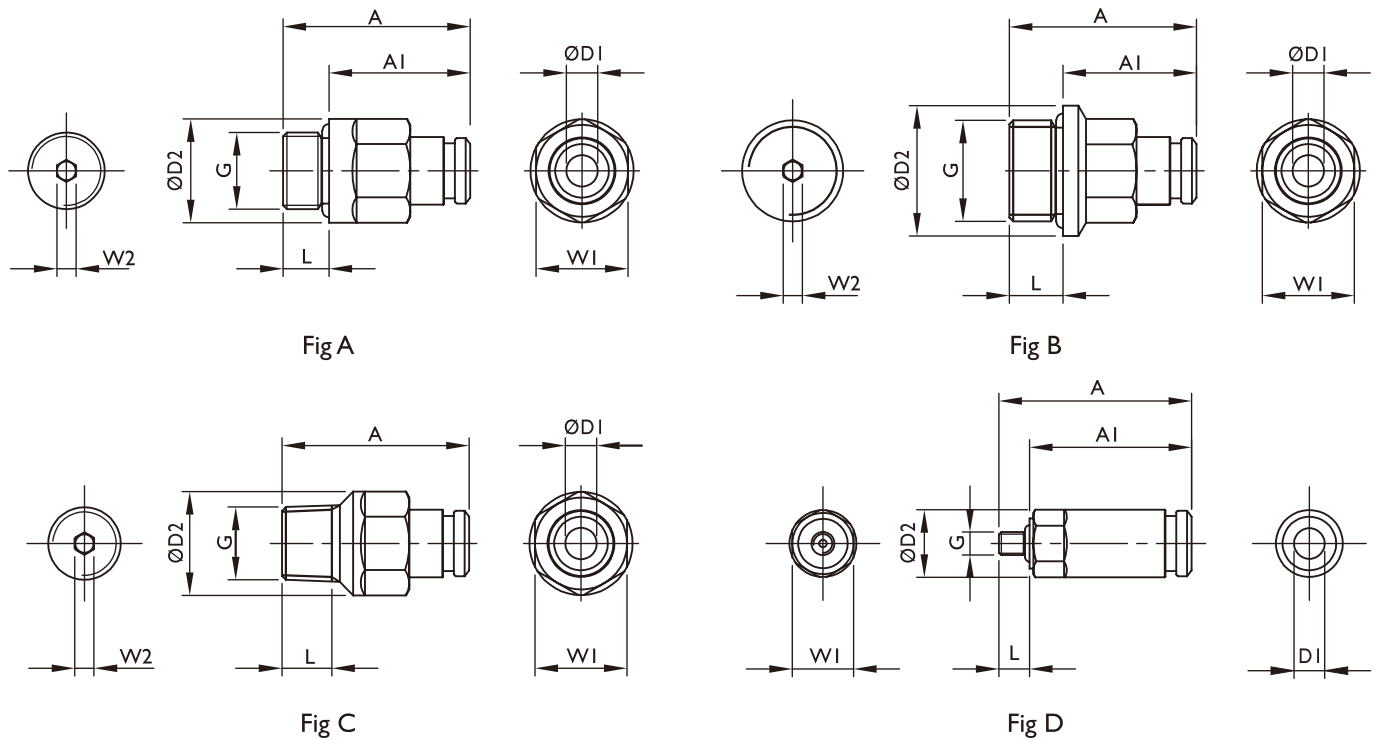
Supporting standard grease NLGI 2.

Temperature range : +10°C ~ +60°C

Pressure difference of outlets may result in different grease delivery volume.

Connector

In-Line Connector



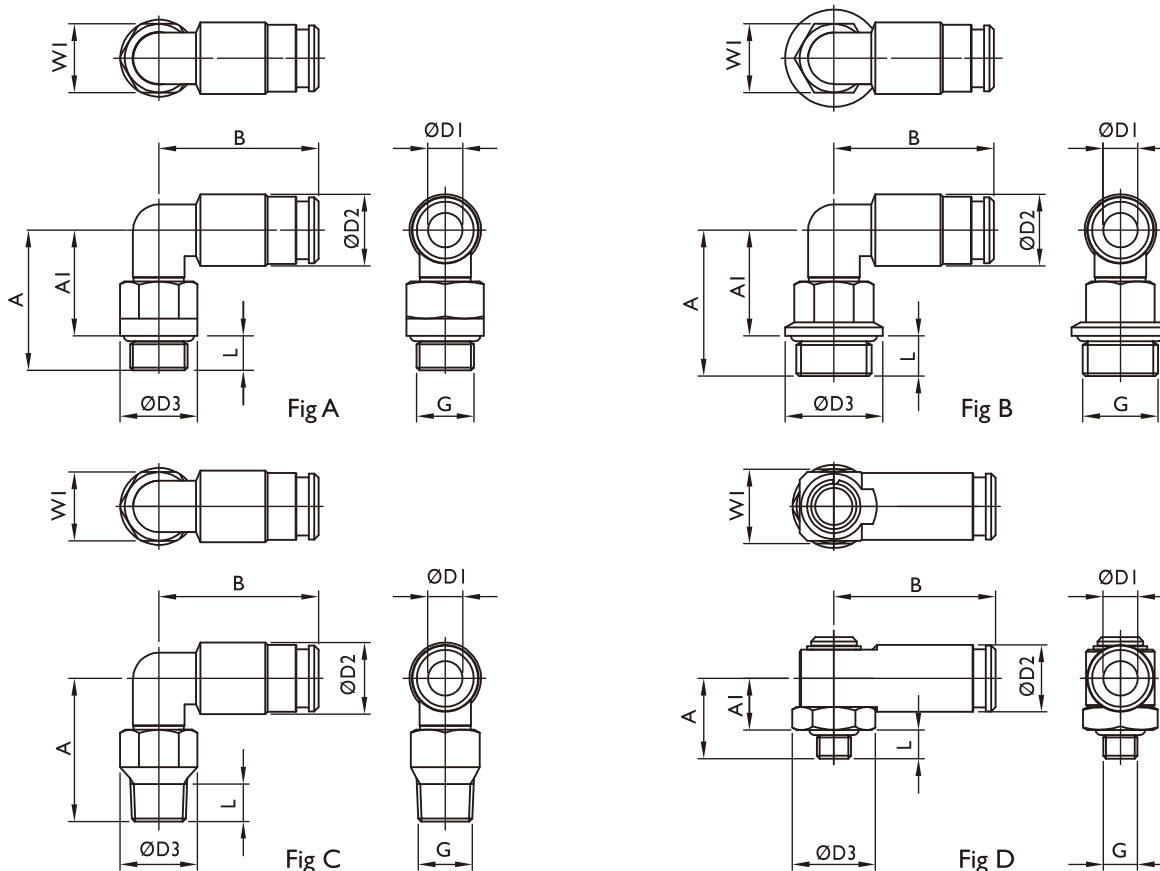
DI	D2	A	AI	G	L	W1	W2	Fig	Order Code	
									Copper (Nickel-Plating)	Stainless
4	8.8	25.1	21.1	M3 × 0.5	4	8	-	D	TB-401 ⁽¹⁾	TBS-401
4	11.5	26.1	21.1	M5 × 0.8	5	10	-	A	TB-402 ⁽¹⁾	TBS-402
4	11.5	26.1	21.1	M6 × 0.75	5	10	2.5	A	TB-403	TBS-403
4	11.5	26.1	21.1	M6 × 1.0	5	10	2.5	A	TB-404	TBS-404
4	11.5	24.4	18.4	M8 × 1.0	6	10	2.5	A	TB-405	TBS-405
4	13.5	24.4	18.4	M10 × 1.0	6	12	2.5	A	TB-406	TBS-406
4	13.5	24.4	18.4	G 1/8"	6	12	2.5	A	TB-407	TBS-407
6	13.5	30.1	25.1	M5 × 0.8	5	12	-	A	TB-601 ⁽¹⁾	TBS-601
6	13.5	30.1	25.1	M6 × 0.75	5	12	3	A	TB-602	TBS-602
6	13.5	30.1	25.1	M6 × 1.0	5	12	3	A	TB-603	TBS-603
6	13.5	30.9	24.9	M8 × 1.0	6	12	4	A	TB-604	TBS-604
6	13.5	28.4	22.4	M10 × 1.0	6	12	4	A	TB-605	TBS-605
6	13.5	28.4	22.4	G 1/8"	6	12	4	A	TB-606	TBS-606
6	17	29.4	22.4	G 1/4"	7	12	4	B	TB-607	TBS-607
6	13.5	29.9	-	R 1/8"	6.5	12	4	C	TB-608	TBS-608
8	15.2	33.3	27.3	M10×1.0	6	14	5	A	TB-801	TBS-801
8	15.2	33.3	27.3	G 1/8"	6	14	5	A	TB-802	TBS-802
8	17	33.3	26.3	G 1/4"	7	14	5	B	TB-803	TBS-803

(1) Material : Carbon Steel (Nickel-Plating)

Operation Pressure : max. 80 bar

Operation Temperature : -30°C ~ +100°C

Right-Angle Connector



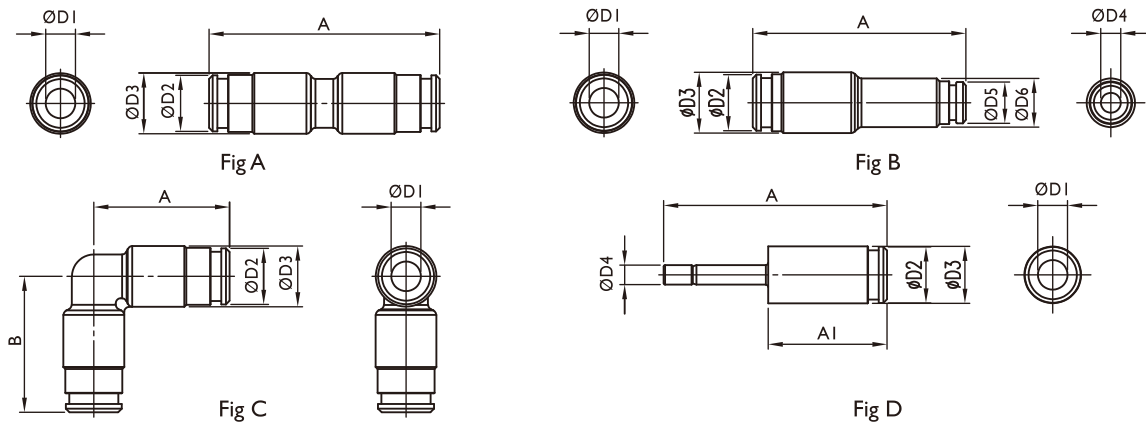
DI	D2	D3	A	AI	B	G	L	WI	Fig	Order Code	
										Copper (Nickel-Plating)	Stainless
4	10	11.5	18.7	14.7	22.4	M3 x 0.5	4	10	A	R-TB-401 ⁽¹⁾	R-TBS-401
4	10	11.5	20.7	15.7	22.4	M5 x 0.8	5	10	A	R-TB-402 ⁽¹⁾	R-TBS-402
4	10	11.5	20.7	15.7	22.4	M6 x 0.75	5	10	A	R-TB-403	R-TBS-403
4	10	11.5	20.7	15.7	22.4	M6 x 1.0	5	10	A	R-TB-404	R-TBS-404
4	10	13.5	23.2	17.2	22.4	M8 x 1.0	6	12	A	R-TB-405	R-TBS-405
4	10	13.5	24.2	18.2	22.4	M10 x 1.0	6	12	A	R-TB-406	R-TBS-406
4	10	13.5	24.2	18.2	22.4	G 1/8"	6	12	A	R-TB-407	R-TBS-407
4	8.8	14.5	14	9	24.2	M6 x 1.0	5	13	D	R-TB-408	R-TBS-408
4	8.8	14.5	15	9	24.2	M8 x 1.0	6	13	D	R-TB-409	R-TBS-409
4	8.8	14.5	17.5	9	24.2	R 1/8"	8.5	13	D	R-TB-410	R-TBS-410
6	12.5	11.5	21	16	27.9	M5 x 0.8	5	10	A	R-TB-601 ⁽¹⁾	R-TBS-601
6	12.5	11.5	21	16	27.9	M6 x 0.75	5	10	A	R-TB-602	R-TBS-602
6	12.5	11.5	21	16	27.9	M6 x 1.0	5	10	A	R-TB-603	R-TBS-603
6	12.5	13.5	23.5	17.5	27.9	M8 x 1.0	6	12	A	R-TB-604	R-TBS-604
6	12.5	13.5	24.5	18.5	27.9	M10 x 1.0	6	12	A	R-TB-605	R-TBS-605
6	12.5	13.5	24.5	18.5	27.9	G 1/8"	6	12	A	R-TB-606	R-TBS-606
6	12.5	17	25.5	18.5	27.9	G 1/4"	7	12	B	R-TB-607	R-TBS-607
6	12.5	13.5	25	-	27.9	R 1/8"	6.5	12	C	R-TB-608	R-TBS-608
6	11.7	14.5	14	9	28.2	M6 x 1.0	5	13	D	R-TB-609	R-TBS-609
6	11.7	14.5	15	9	28.2	M8 x 1.0	6	13	D	R-TB-610	R-TBS-610
6	11.7	14.5	17.5	9	28.2	R 1/8"	8.5	13	D	R-TB-611	R-TBS-611
8	14.5	14.5	25.5	19.5	29.8	M10 x 1.0	6	13	A	R-TB-801	R-TBS-801
8	14.5	14.5	25.5	19.5	29.8	G 1/8"	6	13	A	R-TB-802	R-TBS-802
8	14.5	17	25.5	19.5	29.8	G 1/4"	7	13	B	R-TB-803	R-TBS-803

(1) Material : Carbon Steel (Nickel-Plating)

Operation Pressure : max. 80 bar

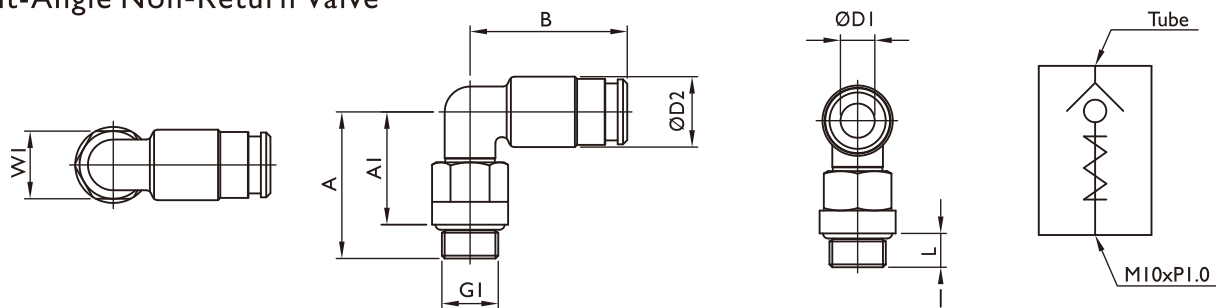
Operation Temperature : -30°C ~ +100°C

Tube Connector



D1	D2	D3	D4	D5	D6	A	AI	B	Fig	Order Code	
										Copper (Nickel-Plating)	Stainless
4	8.5	10.0	-	-	-	39.8	-	-	A	C-TB-401	C-TBS-401
4	8.5	10.0	-	-	-	22.4	-	22.4	C	C-TB-402	C-TBS-402
4	8.5	8.8	6	-	-	45.4	20.4	-	D	C-TB-403	C-TBS-403
6	11.5	12.5	-	-	-	47.8	-	-	A	C-TB-601	C-TBS-601
6	11.5	12.5	4	8.5	10	43.8	-	-	B	C-TB-602	C-TBS-602
6	11.5	12.5	-	-	-	27.9	-	27.9	C	C-TB-603	C-TBS-603
6	11.5	11.7	4	-	-	45.9	24.4	-	D	C-TB-604	C-TBS-604
8	13.5	15	6	11.5	12.5	49.2	-	-	B	C-TB-801	C-TBS-801
8	13.5	13.8	6	-	-	51.3	26.3	-	D	C-TB-802	C-TBS-802

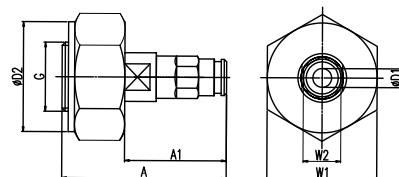
Right-Angle Non-Return Valve



D1	D2	A	AI	B	GI	L	W1	Order Code	
								Copper (Nickel-Plating)	Stainless
4	10	24.2	18.2	22.4	M10 x 1.0	6	12	RV-TB-401	RV-TBS-401
6	12.5	26	20	27.9	M10 x 1.0	6	12	RV-TB-601	RV-TBS-601
8	14.5	27	21	29.8	M10 x 1.0	6	13	RV-TB-801	RV-TBS-801

Function of Non-Return Valve: Avoid of backflow, Resistance of pressure.

Oil Filling Connector



D1	D2	A	AI	G	W1	W2	Order Code
4	35	48.4	28.4	M22 x 2.0	35	12	TB-4-22
6	35	52.4	32.4	M22 x 2.0	35	12	TB-6-22
8	35	57.3	37.3	M22 x 2.0	35	14	TB-8-22

The oil filling connector is to apply for refilling of lubricant.

High kinematic viscosity of lubricant will reduce the pumping distance to the device or facility.

Pay attention to kinematic viscosity by refilling of Non-APEX lubricant.

Lubricator Cartridge

■ Empty Cartridge (Order Code : G00)

For Self-Filling of grease.

Oil Filling Connector is necessary.

Supports LUG-400 lubricator

■ Standard Grease (Order Code : G01)

NLGI Grade 2

Temperature Range -30°C ~ +140°C.

Containing PTFE, good performance in high pressure and metal adhesion.

Suitable for high loading gear transmission system.

Suitable for high temperature environment.

Kinematic Viscosity 32 cSt / 40°C

Supports LUG lubricator pre-fill at 400 cm³

■ Food Grade Grease (Order Code : G02)

NLGI Grade 2

Temperature Range -35°C ~ +120°C.

NFS HI license.

Provide good wearing resistance and extend lubrication interval.

Food Grade Grease is Non-toxic, Odorless, Colorless and tasteless.

Kinematic Viscosity 50 cSt / 40°C.

Supports LUG lubricator pre-fill at 400 cm³

■ Low Temperature Grease (Order Code : G03)

NLGI Grade 2

Temperature Range -50°C ~ +120°C

Contains special additives for anti-wear, anti-oxidant, anti-corrosion and high pressure resistance.

Suitable for high loading gear transmission system.

Kinematic Viscosity 15 cSt / 40°C.

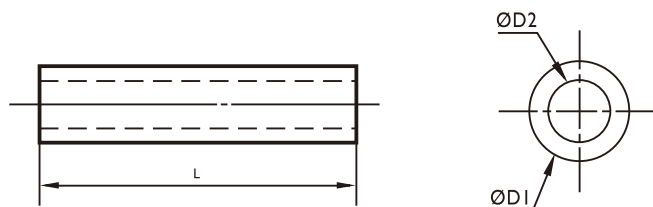
Supports LUG lubricator pre-fill at 400 cm³

Remark:

The APEX Smart Lubrication System has been optimized for the 3 greases as shown above.

Using other greases, the pumping performance of APEX Lubrication System could be different.

PA Tube



Type of Grease	D1	D2	Length in Package (meter)	Order Code
Empty Tube	4	2.5	200	T04
	6	4	200	T06
	8	5	100	T08
Standard Grease (Order Code : G01)	4	2.5	5	T04-01
	6	4	10	T06-01
	8	5	10	T08-01
Food Grade (Order Code : G02)	4	2.5	5	T04-02
	6	4	5	T06-02
	8	5	5	T08-02
Low Temperature (Order Code : G03)	4	2.5	5	T04-03
	6	4	10	T06-03
	8	5	10	T08-03

PA 12 Tube is pre-filled with grease.

Operating Pressure: 25 kg/cm² by 4 mm PA Tube; 28 kg/cm² by 6 mm & 8 mm PA Tube (Temperature 20°C)

Operating Temperature : -40°C ~ +80°C



**APEX TAIWAN NORTH
ANDEK AUTOMATION CO.,LTD**
TEL +886-02-82262655
13F-5, No.2, Jian 8th Rd., Jhonghe Dist., New
Taipei City 235, TAIWAN
sales@andtek.com.tw
www.apexdyna.com



**APEX TAIWAN CENTRAL
ANDEK AUTOMATION CO.,LTD**
TEL +886-04-23594286
9F-6, No.925, Sec.4, Taiwan Blvd., Xitun Dist.
Taichung City 407 TAIWAN
sales@andtek.com.tw
www.apexdyna.com



**APEX TAIWAN SOUTH
MEN JENN ELECTRIC CO., LTD.**
TEL +886-06-2337332 ~ 6
No.774, Zhonghua Rd., Yongkang Dist., Tainan
City 710, TAIWAN
menjenn@ms24.hinet.net
www.apexdyna.com



APEX DYNAMICS INC. SHANGHAI
TEL +86-21-69220577
No.128 ZHUYING Road QINGPU Industry Area,
Shanghai, CHINA
sales@apexdyna.cn
www.apexdyna.cn



APEX DYNAMICS SHENZHEN, LTD.
TEL +86-755-84516325
No. 1102A of D area , CFG mansion ,Bao Yuan
Road , Bao'an District , Shenzhen ,CHINA.
sales@szapexdyna.com
www.szapexdyna.com



APEX DYNAMICS BEIJING, LTD.
TEL +86-10-69570691
NO.1,YaoPingRoad,SongZhuang Town, Tongzhou
istrict, Beijing, CHINA.
bjapexdyna@163.com
www.bjapex.cn



CHONGQING APEX DYNAMICS CO., LTD.
TEL +86-23-67686860
406, Building 5, No.68,Jinyu Avenue, Beibu New
Area, Chongqing, CHINA
sales@cqapexdyna.com
www.apexdyna.com



APEX (XIAMEN) DYNAMICS TECHNOLOGY CO., LTD.
TEL +86-0592-720-5279
Unit B-3,1F.,No.129,Jingquan Road, Jimei District,
Xiamen, Fujian, CHINA
sales@xmpepdyna.com
www.xmpepdyna.com



APEX DYNAMICS USA, INC.
TEL +1-631-2449040
885 Marconi Avenue Ronkonkoma, NY 11779
U.S.A.
sales@apexdynamicsusa.com
www.apexdynamicsusa.com



APEX DYNAMICS KOREA
TEL +82-31-8179992
1246-32, Seongsuk-dong, Ilsandong-gu, Goyang-city,
Gyeonggi-Do, KOREA (R.O.K) 410-570
sales@apexdynakorea.co.kr
www.apexdynakorea.co.kr



APEX DYNAMICS JAPAN
TEL +81-092-4511202
1-13-3, Sannou, Hakata-ku, Fukuoka-Shi 812-0015,
JAPAN
sales@apexdyna.jp
www.apexdyna.jp



APEX DYNAMICS SINGAPORE PTE LTD
TEL +65-62-626228
3 South Buona Vista Road, #05-15 & #06-15,
SINGAPORE 118136
sales@apexdyna.com.sg
www.apexdyna.com.sg



APEX DYNAMICS (THAILAND) CO., LTD.
TEL +66-2-3266233
73 Soi Ladkrabang 30, Kadkrabang Rd.,Bangkok
10520, THAILAND
sales@apexdyna.co.th
www.apexdyna.co.th



APEX DYNAMICS BV
TEL +31-492-509995
Churchillaan 101 5705 BK Helmond, NETHERLANDS
sales@apexdyna.nl
www.apexdyna.nl
www.apexdyna.be



**APEX DYNAMICS
POLSKA SP. Z O.O.**
TEL +48-12-6304728
Krakowska 50, 32-083 Balice, POLAND
sales@apexdyna.pl
www.apexdyna.pl



APEX DYNAMICS SPAIN, S.L.
TEL +34-93-6562990
Poligono Industrial Moli dels Freres, Calle C nº
12,08620 - Sant Vicenç dels Horts, Barcelona, SPAIN
apexdyna@apexdyna.es
www.apexdyna.es



APEX DYNAMICS IRAN.
TEL +98-21-66593517
APT#6, 3rd Flr. No.5, 3rd Kowsar St., Sattarkhan
Ave., Tehran, IRAN
alahyari@farasysco.com
www.apexdyna.ir



APEKS REDUKTOR VE DISLI SAN. TIC. LTD. STI.
TEL +90-232-4589960
10042 Sok.No:10 AOSB Çi li- zmir, TURKEY
sales@apexdyna.com.tr
www.apexdyna.com.tr



APEX DYNAMICS AUSTRALIA PTY LTD.
TEL +613-95-852739
36 Taunton Drive, Cheltenham, Victoria 3192
AUSTRALIA.
sales@apexdyna.com.au
www.apexdyna.com.au



APEX DYNAMICS (I) JV
TEL +91-80-55345541
GAT NO. 279, KHED SHIVAPUR BAUG, TALUKA
HAVELI PUNE- 412205 INDIA.
sales@apexdyna.co.in
www.apexdyna.co.in



APEX DYNAMICS FRANCE SAS
TEL +33-160-135097
11 - Burospace F - 91570 -
Bièvres, FRANCE
info@apexdyna.fr
www.apexdyna.fr



APEX DYNAMICS SWEDEN AB
TEL +46-75-242444
Fredrikbergsgatan 2 SE-573 92 Tranås, SWEDEN
sales@apexdyna.se
www.apexdyna.se



PT.APEX DYNAMICS INDONESIA
TEL +62 21 2928 3681
Rukan Aralia Blok HY43 no.11, Harapan Indah II,
Bekasi - Jawa Barat, INDONESIA 17214
sales@apexdyna.co.id
www.apexdyna.co.id



APEX DYNAMICS GERMANY GMBH
TEL +49-71-81-9329955
Spanninger Str. 9, 73650 Winterbach, GERMANY
Langer@apexdynamics.de
www.apexdynamics.de



APEX DYNAMICS CZECH S.R.O.
TEL +420-577-663877
t . Tomáše Bati 1851 765 02 Otrokovice ESKÁ
REPUBLIKA
info@apexdynaczech.cz
www.apexdynaczech.cz



АРЕХ ДИНАМИКС РОССИЯ
TEL +7-495-2255452
+7-495-6462422
г.Москва, ул. Южнопортовая, дом 7, стрение
“С” 3-й этаж этаж
info@apexdynarussia.ru
www.apexdynarussia.ru



APEX DYNAMICS UK LIMITED
TEL +44-1827-253340
2 Centurion Way, Centurion Park, Tamworth
Staffs, B77 5PN, UK
sales@apexdynamicsuk.com
www.apexdynamicsuk.com



APEX DYNAMICS SWITZERLAND AG
TEL +41-55-4517020 Talstrasse 24, CH-8852
Altendorf, SWITZERLAND
info@apexdyna.ch
www.apexdyna.ch



APEX DYNAMICS MOTION SDN BHD
TEL +60 7237 1055
No.1, Jalan Perniagaan Setia 3, Taman
Perniagaan Setia, 81100 Johor Bahru, Johor,
MALAYSIA (Setia Business Park 2 @ Iskandar
Malaysia)
sales@apexdyna.com.sg
www.apexdyna.com.sg



APEX DYNAMICS BRAZIL
TEL +55-47-30298700
Rua Senador Petrónio Portela, 47 - Bloco 5, Zona
Industrial Norte - CEP 89218-575 - Joinville (SC)
luacan@neoyama.com.br
adriano.duarte@neoyama.com.br
www.neoyama.com.br



APEX DYNAMICS ITALY
TEL +39 02 36634521
VIA E. DE AMICIS, 2 – 20091 BRESSO (MI)
info@apexdynamics.it
www.apexdynamics.it



APEX DYNAMICS, INC.

No10. Keyuan 3rd RD.Situn District, Taichung City 40763, Taiwan (R.O.C)
Tel:886-4-24650219 | Fax:886-4-24650118
sales@apexdyna.com | <http://www.apexdyna.com>

APEX-2018-04-LUG Series-1.0E-TWN

